

**Slide and Turn System
System SF 35**

Framed Double Glazed / Non Insulated

Index

Description	Page
General information & product features	1.4-1.7
Testing	1.8
Technical Information	1.9-1.14
Measurement	2.1
Assembly instructions	3.1-3.14
Maintenance and servicing instructions	4.1-4.4
Warranty	5.1-5.2
Terms of sale	6.1-6.5

Slide and Turn Systems

SUNFLEX slide and turn systems enhance the attractiveness of every home through the contrast of glass and wall. The individually moveable, unconnected glass panels can be opened over the entire front and parked on the side as a narrow stack, ensuring a hassle-free passage from inside to outside, while not impairing the visual appearance. Little space is required when panels are opened.

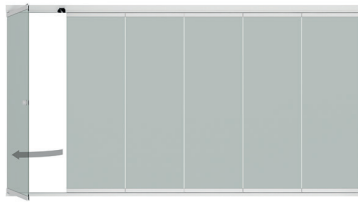


System information

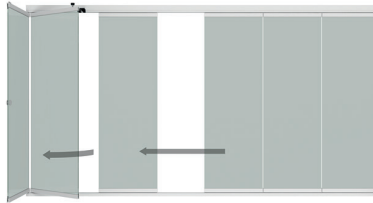
- Choice of frameless glass design or framed aluminum construction
- Low-wear and maintenance-free fittings
- Pressure-free drainage of bottom track by sloped track design
- Integral water drainage channel on inside of bottom track to drain condensation water and cleaning materials
- Top hung construction with a choice of flush or raised bottom track options
- Horizontal running mechanism with triple stainless steel needle bearings and carbon fibre-reinforced polyamide wheels
- Inward or outward opening of the panels possible
- Choice of panel configuration and sliding direction
- Height compensation of up to 7/8" (22 mm)
- Double brush seal with plastic fin at top and bottom of the glass panels



Operation



Simple opening by operation of a knob



Easy sliding and turning of the individual panels



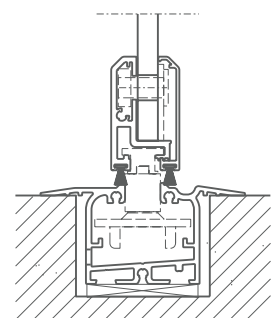
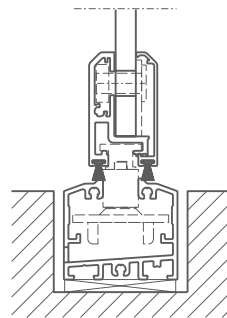
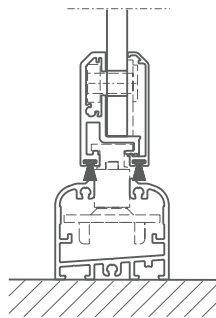
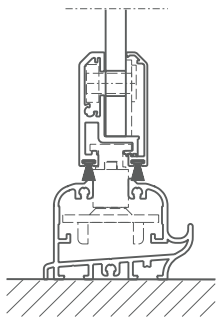
Large opening space when panels are opened

Framed system

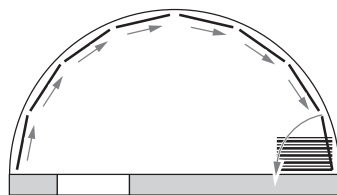


- Sound transmission control STC 30
- 1 3/4" (20 mm) double-glazing possible
- Lateral wall connection with vertical junction profile
- Increased panel rigidity
- Increased air-tightness

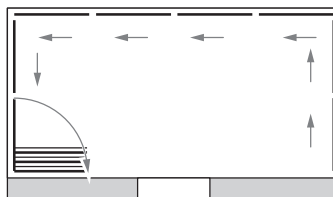
Examples of bottom track options



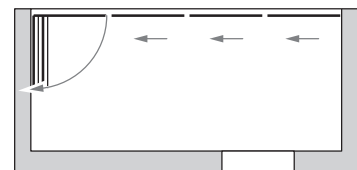
Geometric options



Segmented Systems

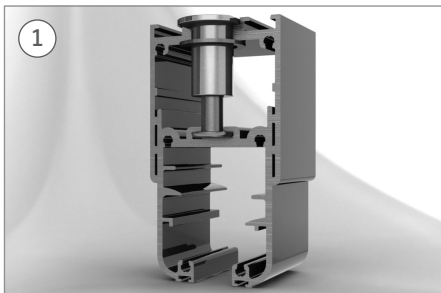
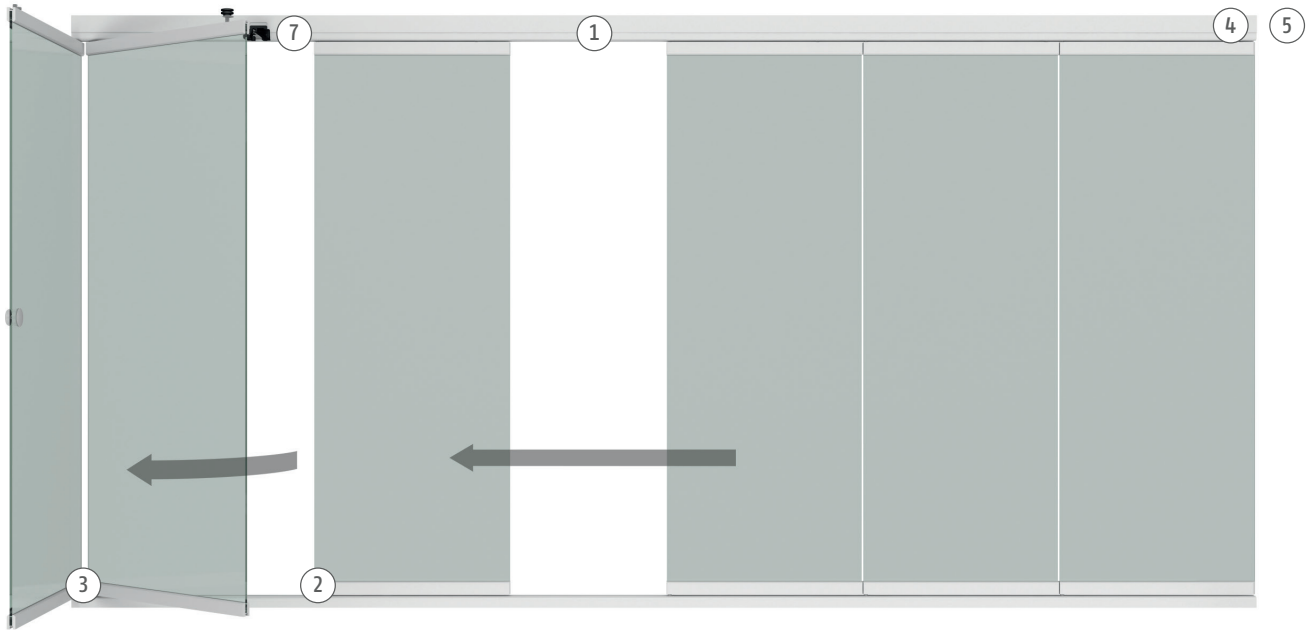


Angle Solutions 90°-180°

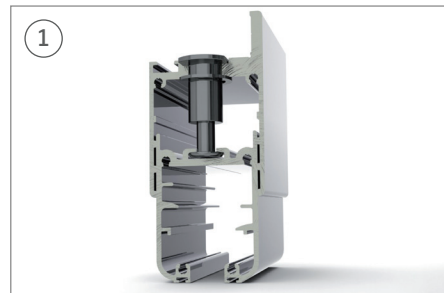


Straight Systems

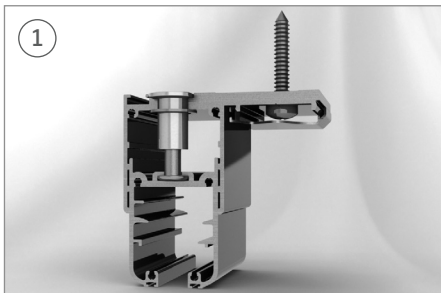
Details



Height compensation profile allows a height adjustment of up to 7/8" (22 mm)



Height compensation profile with vertical flange



Height compensation profile with horizontal flange and screw cap and screw cover clip-on profile



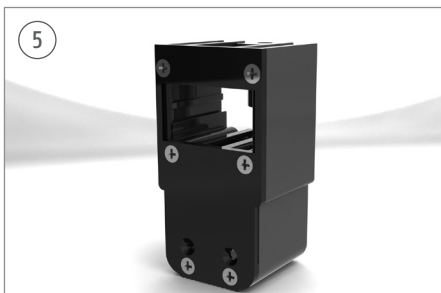
Anti-rust carriage system



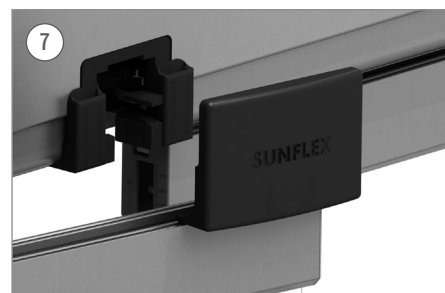
Glass thickness 1 3/4" (20 mm)



Corner angle continuously adjustable for upper rail and height compensation profile



Adjustable profile cover plate

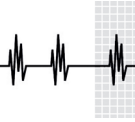


Carriage recess

Test Results

SG - Bauakustik

Institut für schalltechnische Produktoptimierung



No. 1238-002-09

Determination of the airborne sound insulation acc. to DIN EN ISO 10140-3 test stand. Meets the following performance requirements with 18 mm / 3/4" glass.

- With vertical gap sealing / Sound reduction index R_w in dB / 30 dB



No. 40-33/13

Meets the following performance requirements with 20 mm / 3/4" glass.

- Measurement of deflection class 3 according to EN 12211 / 12210
 - + 1200 Pa: 39,29 mm / 1.5469"
 - 1200 Pa: 38,24 mm / 1.5055"
- Repeated pressure / Wind suction class 3 according to EN 12211 / 12210
 - ± 600 Pa
- Safety test class 3 according to EN 12211 / 12210
 - ± 1800 Pa



Technical Information

Profile system

- Framed sliding turn door system
- Non-insulated aluminum profiles with double-glazed inserts
- Recessed or surface-mounted floor track (optional)
- Open from inside or outside
- With or without vertical frames
- Lateral vertical frame profiles
- Height differences can be compensated by installing a height compensation profile

Hardware

- All hardware concealed within profiles
- Low-maintenance, non-corroding and failsafe hardware components
- Locking possible from inside and/or outside
- Locking and unlocking via user-friendly flat or lever handle (optional)
- Pivoting panel can be equipped with a profile cylinder lock to prevent unauthorized opening

Runner system

- Top-mounted, maintenance-free horizontal runner assemblies, each equipped with two rollers
- Runner assemblies features three smooth-running needle bearings and two carbon fibre reinforced polyamide rollers respectively
- All stainless steel metal components in runner assemblies
- Low-noise, hard-wearing, heat and cold resistant running surfaces
- Runner assemblies can cross any angle between 90° and 180°

Sealing and ventilation

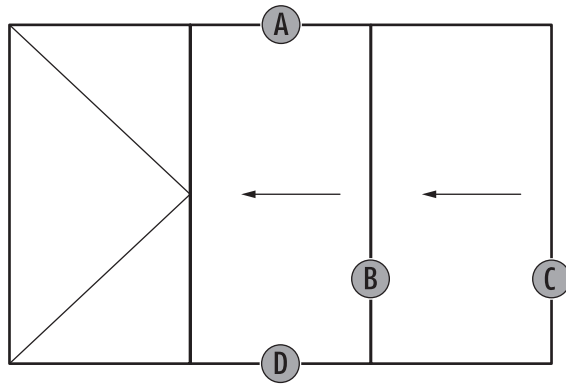
- Tongue and groove system between panels
- Horizontal upper and lower brush seals fitted on inner and outer sides
- Lower brush seal attached to panel frame and not to bottom track

Glazing

- 1 3/4" (20 mm) double-glazing
- Can be replaced without difficulty

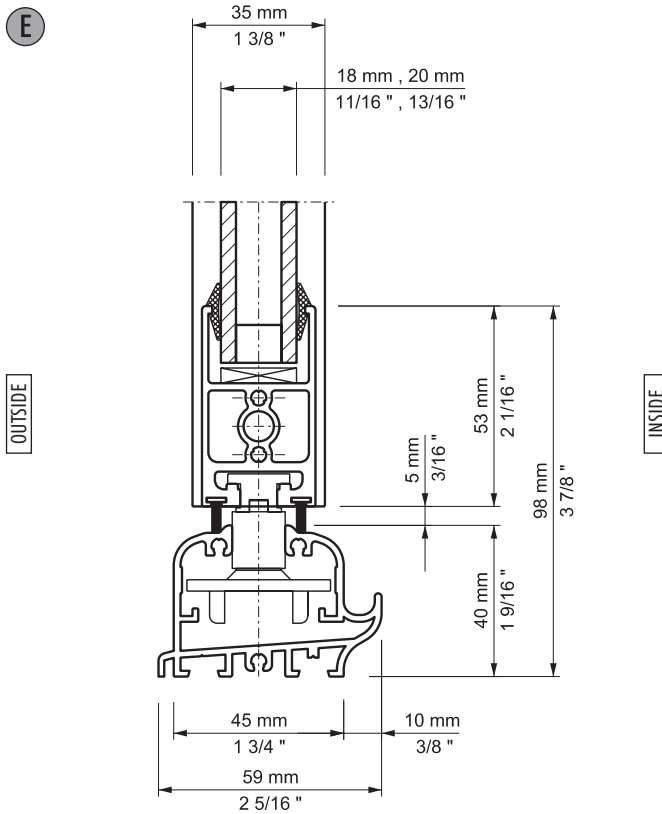
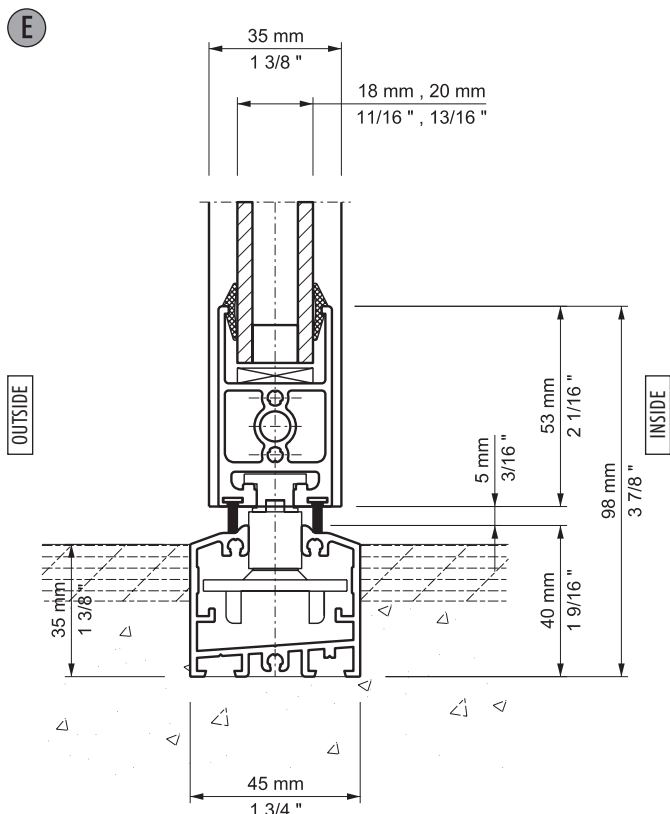
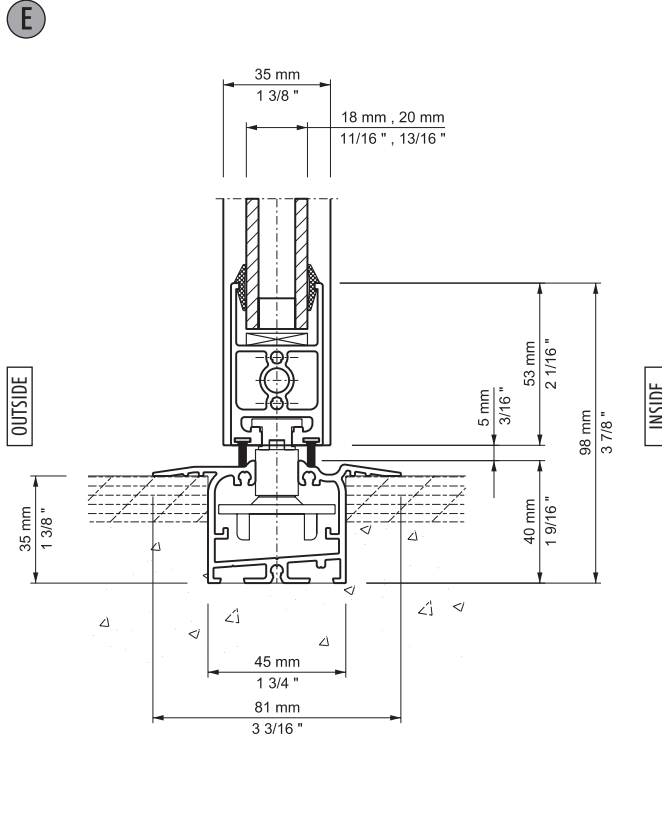
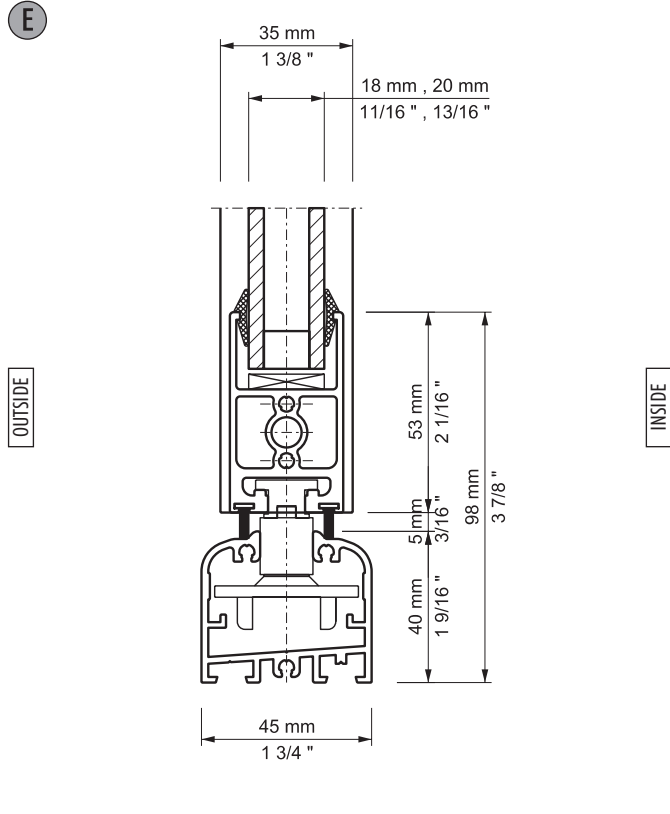
Drainage

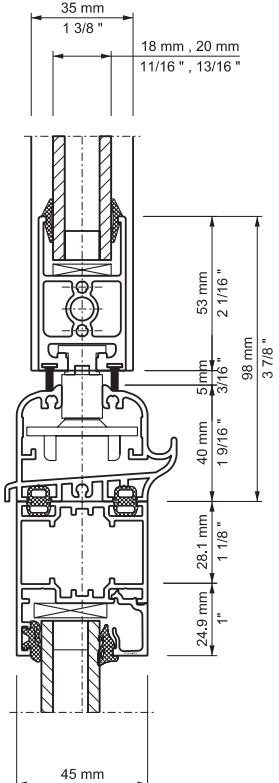
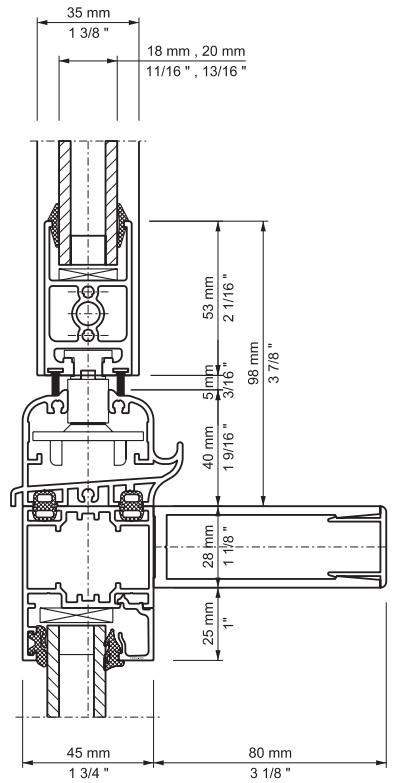
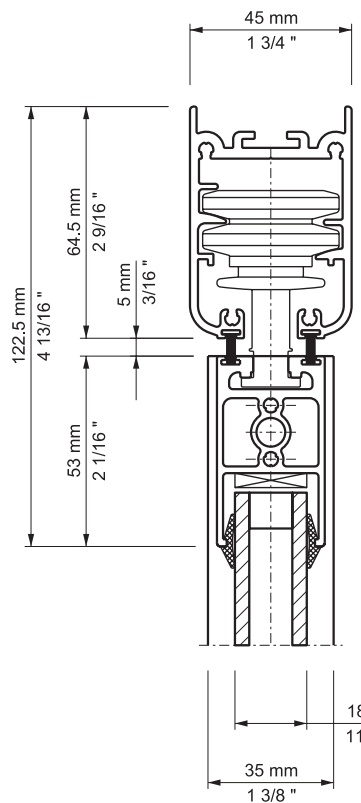
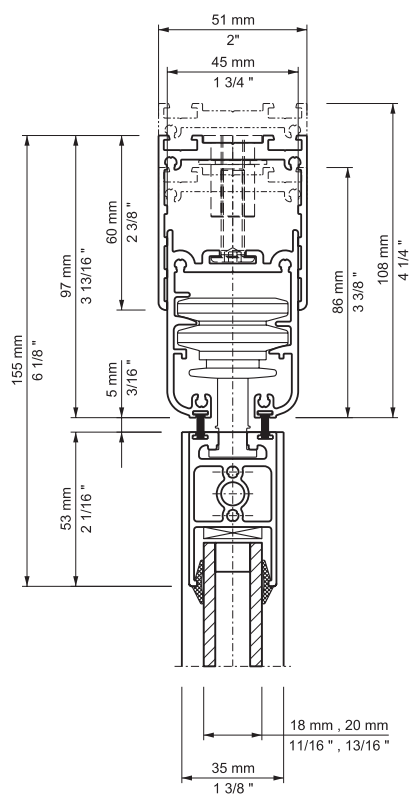
- Unassisted gravity drainage via sloped bottom track design
- Integral water drainage channel on inside of floor track
- End-caps at both sides of floor track

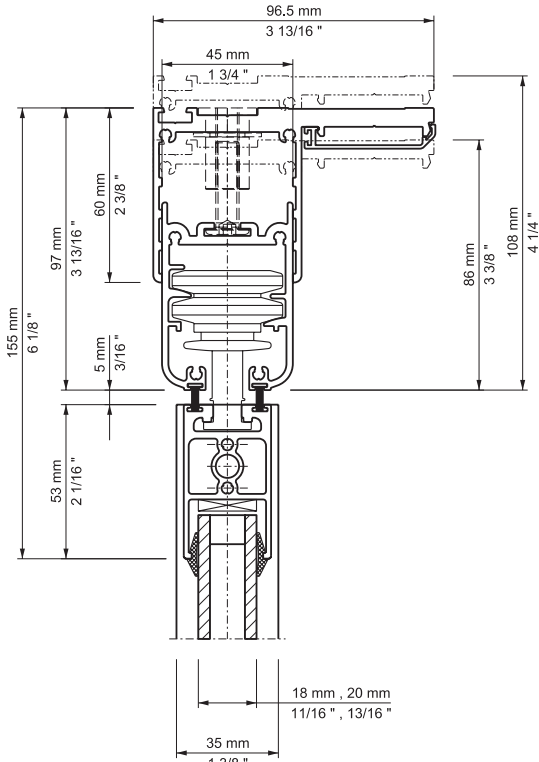
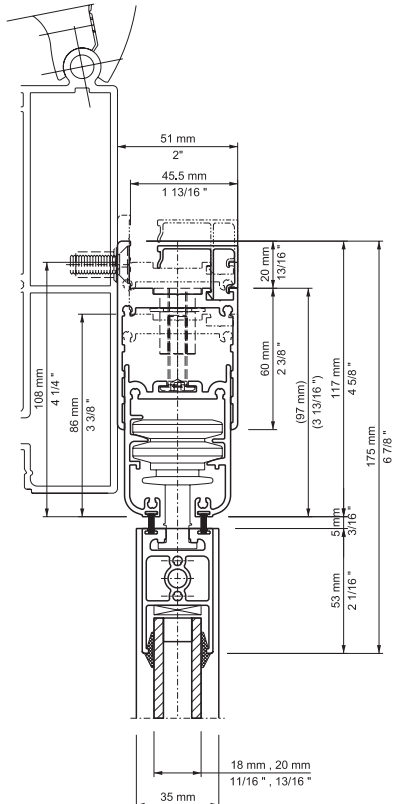
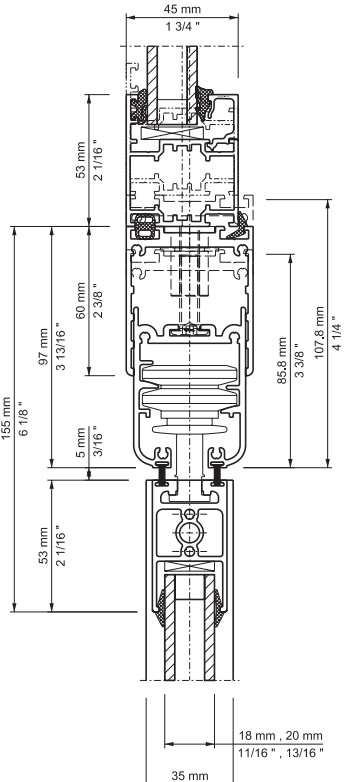
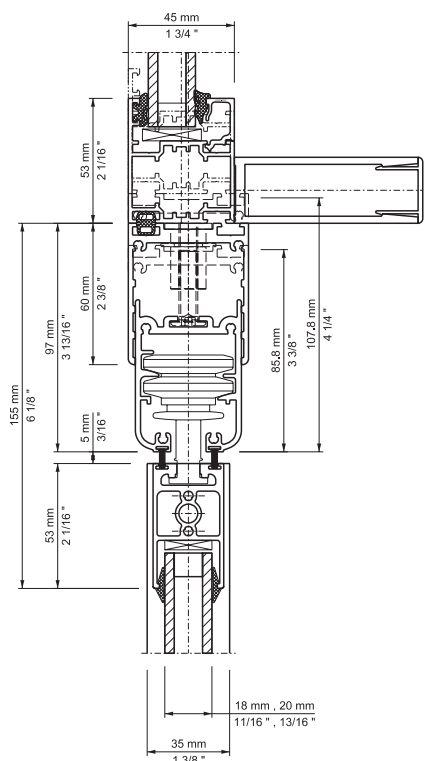


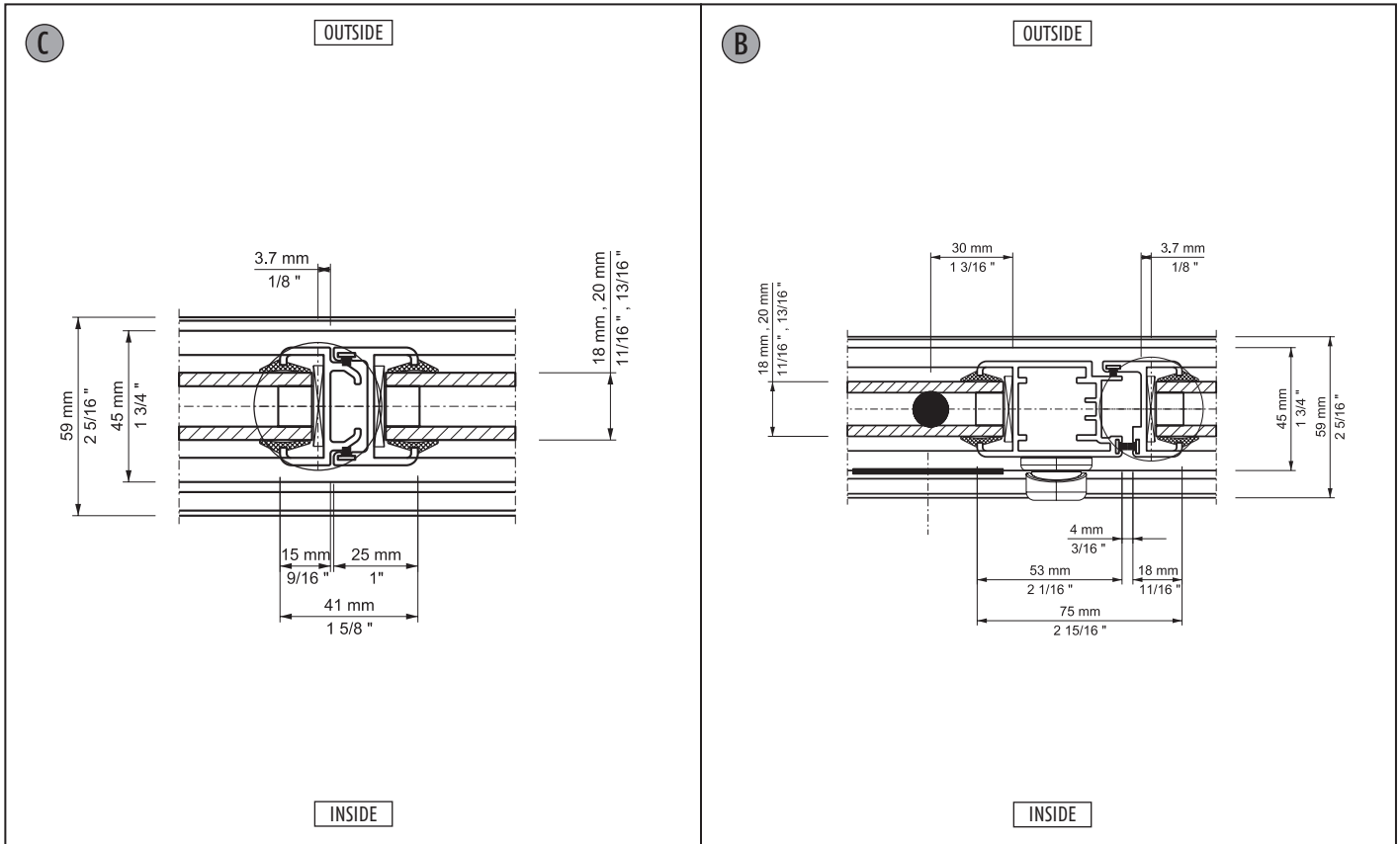
Details at uneven panel partitioning in one direction

Ref.	Section	Description	Page
E	SF35-005	Vertical-Section, standard bottom track	11
E	SF35-008	Vertical-Section, flush bottom track	11
E	SF35-007	Vertical-Section, flush bottom track square	11
E	SF35-006	Vertical-Section, flush bottom track rounded	11
A	SF35-012	Vertical-Section, bottom track on balustrade connector	12
A	SF35-011	Vertical-Section, bottom track on balustrade and strengthening profile	12
A	SF35-001	Vertical-Section, top track	12
A	SF35-002	Vertical-Section, top track with height compensations profile	12
A	SF35-004	Vertical-Section, height compensations profile with flange - horizontal	13
A	SF35-004	Vertical-Section, height compensations profile with flange - vertical	13
A	SF35-010	Vertical-Section, overhead light connection with height compensation profile	13
A	SF35-009	Vertical-Section, top track with hcp overhead light connection and strengthening profile	13
D	SF35-102	Horizontal-Section, panel - panel	14
C	SF35-103	Horizontal-Section, turn panel - sliding panel	14
B	SF35-104	Horizontal-Section, panel jamb rubber sealing profil	14
D	SF35-105	Horizontal-Section, panel - panel 90°- bending	14

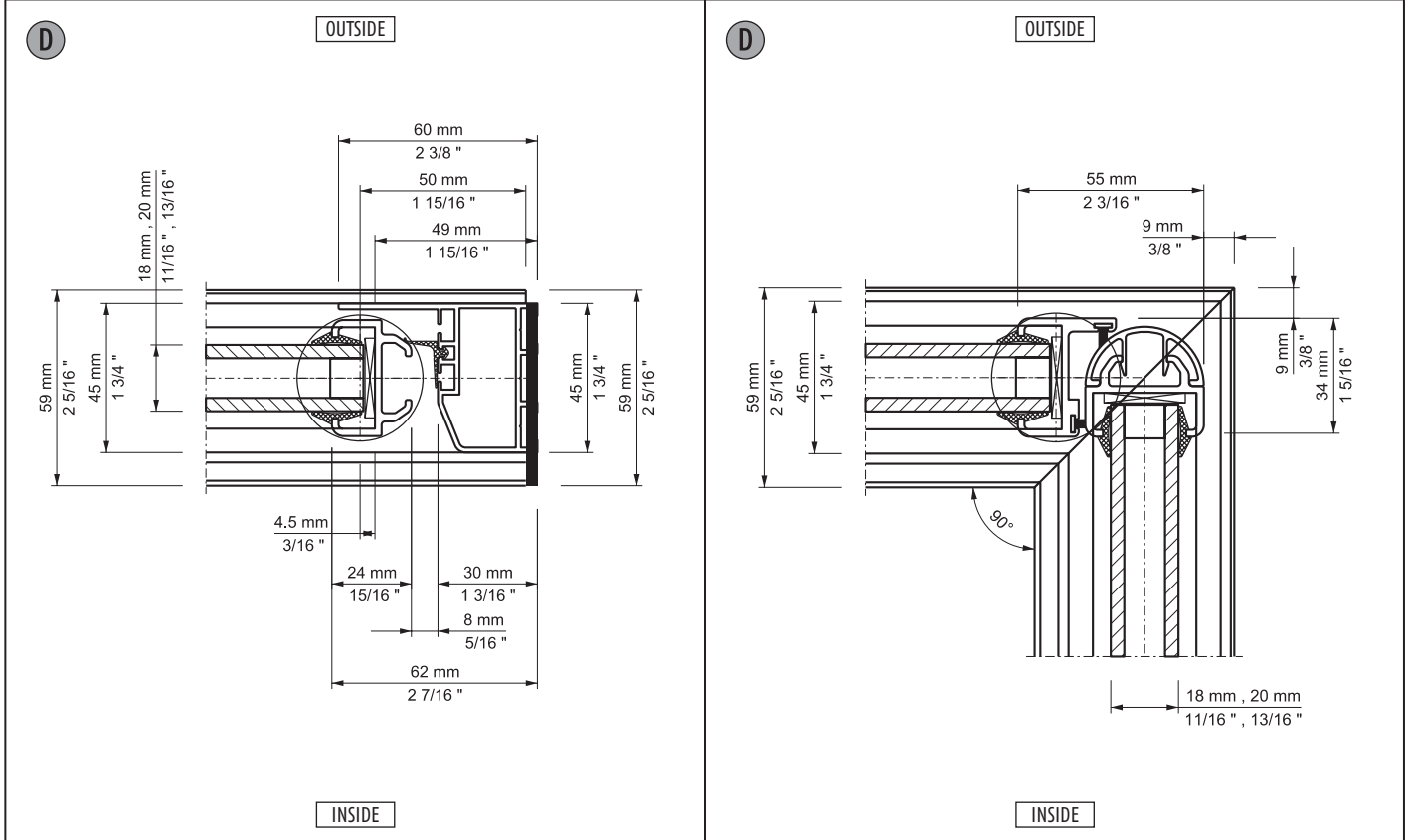
			
<p>Description: Vertical-Section, standard bottom track</p>	<p>System: SF35 Detail-No.: SF35-005</p>	<p>Description: Vertical-Section, flush bottom track</p>	<p>System: SF35 Detail-No.: SF35-008</p>
			
<p>Description: Vertical-Section, flush bottom track square</p>	<p>System: SF35 Detail-No.: SF35-007</p>	<p>Description: Vertical-Section, flush bottom track rounded</p>	<p>System: SF35 Detail-No.: SF35-006</p>

<p>A</p> 	<p>A</p> 		
<p>Description: Vertical-Section, bottom track on balustrade connector</p>	<p>System: SF35 Detail-No.: SF35-012</p>	<p>Description: Vertical-Section, bottom track on balustrade and strengthening profile</p>	<p>System: SF35 Detail-No.: SF35-011</p>
<p>A</p> 	<p>A</p> 		
<p>Description: Vertical-Section, top track</p>	<p>System: SF35 Detail-No.: SF35-001</p>	<p>Description: Vertical-Section, top track with height compensations profile</p>	<p>System: SF35 Detail-No.: SF35-002</p>

<p>A</p>  <p>OUTSIDE</p> <p>INSIDE</p> <p>Dimensions: 155 mm (6 1/8"), 97 mm (3 13/16"), 60 mm (2 3/8"), 53 mm (2 1/16"), 5 mm (3/16"), 45 mm (1 3/4"), 96.5 mm (3 13/16"), 18 mm, 20 mm (11/16", 13/16"), 35 mm (1 3/8"), 86 mm (3 3/8"), 108 mm (4 1/4")</p>	<p>A</p>  <p>OUTSIDE</p> <p>INSIDE</p> <p>Dimensions: 108 mm (4 1/4"), 86 mm (3 3/8"), 51 mm (2"), 45.5 mm (1 13/16"), 20 mm (13/16"), 60 mm (2 3/8"), 53 mm (2 1/16"), 117 mm (4 5/8"), 175 mm (6 7/8"), 18 mm, 20 mm (11/16", 13/16"), 35 mm (1 3/8")</p>
<p>Description: Vertical-Section, height compensations profile with flange - horizontal</p> <p>System: SF35</p> <p>Detail-No.: SF35-003</p>	<p>Description: Vertical-Section, height compensations profile with flange - vertical</p> <p>System: SF35</p> <p>Detail-No.: SF35-004</p>
<p>A</p>  <p>OUTSIDE</p> <p>INSIDE</p> <p>Dimensions: 155 mm (6 1/8"), 97 mm (3 13/16"), 60 mm (2 3/8"), 53 mm (2 1/16"), 5 mm (3/16"), 45 mm (1 3/4"), 85.8 mm (3 3/8"), 107.8 mm (4 1/4"), 18 mm, 20 mm (11/16", 13/16"), 35 mm (1 3/8")</p>	<p>D</p>  <p>OUTSIDE</p> <p>INSIDE</p> <p>Dimensions: 155 mm (6 1/8"), 97 mm (3 13/16"), 60 mm (2 3/8"), 53 mm (2 1/16"), 5 mm (3/16"), 45 mm (1 3/4"), 85.8 mm (3 3/8"), 107.8 mm (4 1/4"), 18 mm, 20 mm (11/16", 13/16"), 35 mm (1 3/8")</p>
<p>Description: Vertical-Section, overhead light connection with height compensation profile</p> <p>System: SF35</p> <p>Detail-No.: SF35-010</p>	<p>Description: Horizontal-Section, panel - panel</p> <p>System: SF35</p> <p>Detail-No.: SF35-009</p>



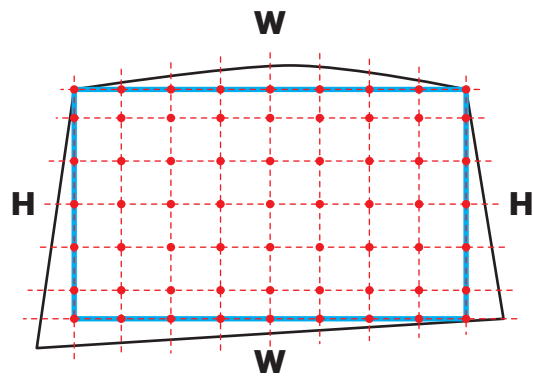
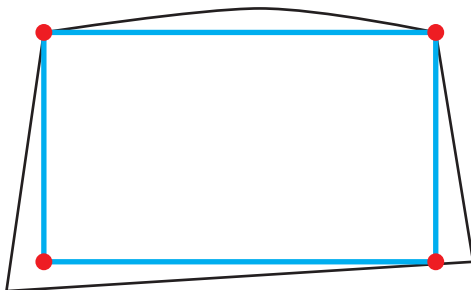
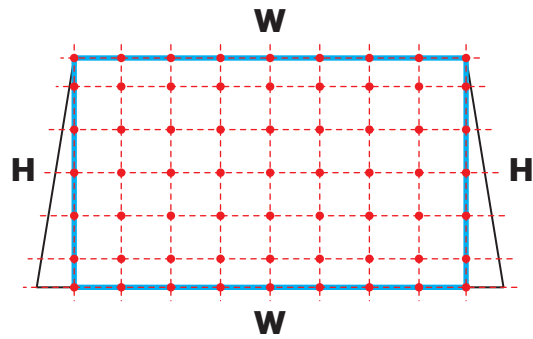
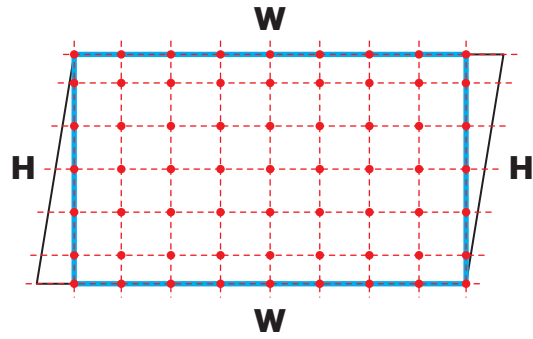
Description: Horizontal-Section, turn panel - sliding panel	System: SF35	Description: Horizontal-Section, panel jumb with rubber sealing profile	System: SF35
	Detail-No.: SF35-102		Detail-No.: SF35-103

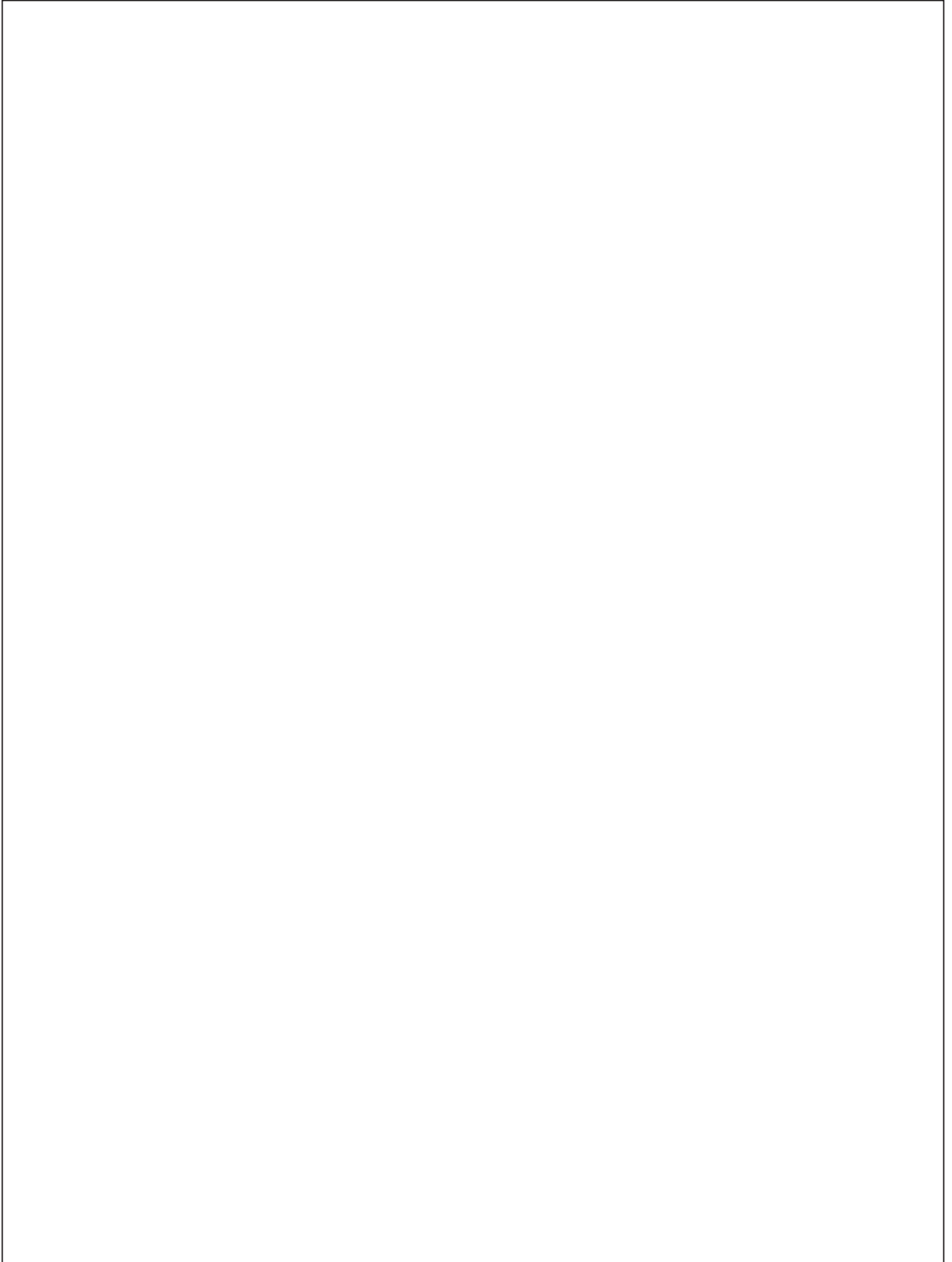


Description: Horizontal-Section, turn panel - slide panel	System: SF35	Description: Horizontal-Section, turn panel - slide panel	System: SF35
	Detail-No.: SF35-104		Detail-No.: SF35-105

Measurement

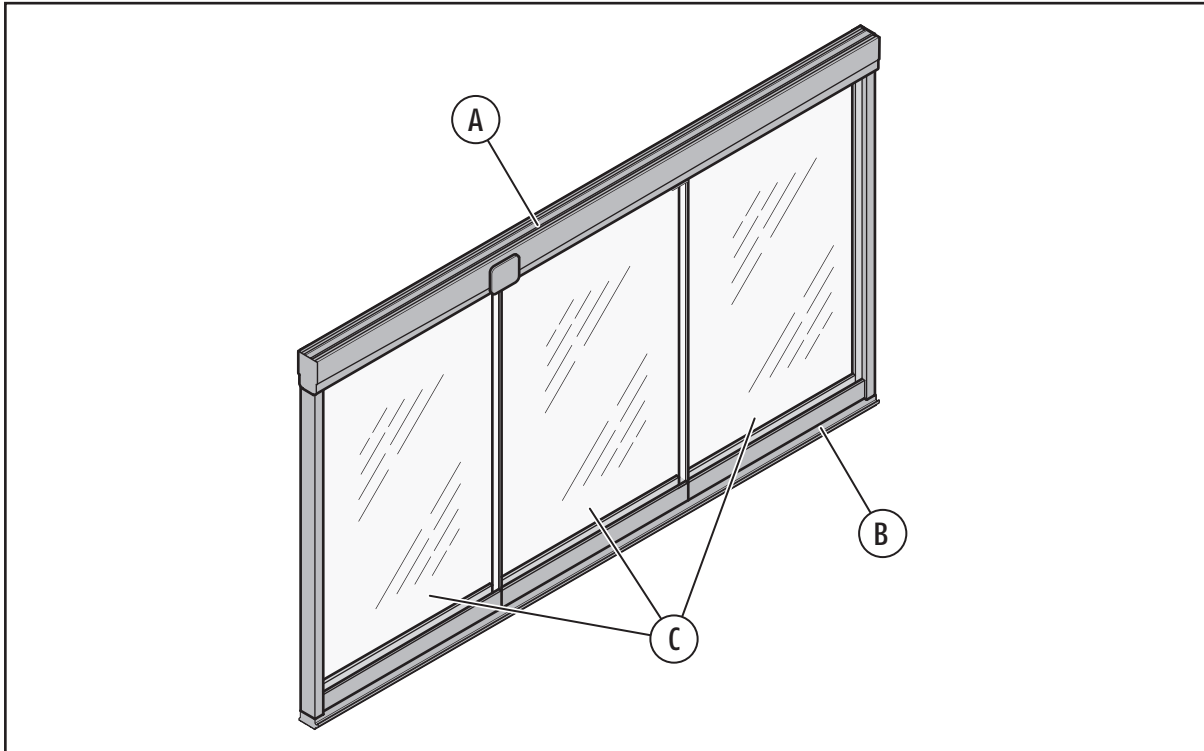
It is important to measure at multiple points for both height and width making sure to capture the shortest height and width.





Assembly instructions

SF 25 / SF 35



Scope of delivery:

- A. Upper rail, height compensation profile
(coupled, do not separate)
- B. Floor rail
- C. Sliding panel
- Accessories pack

Safety instructions:

These assembly instructions are specifically designed for the use of authorised specialists. Observation and implementation of the relevant safety regulations are a prerequisite.

Symbols used:

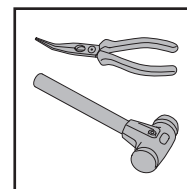
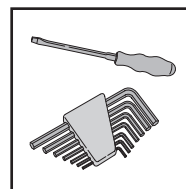
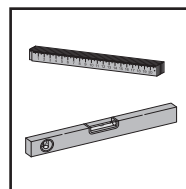
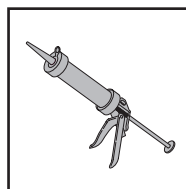
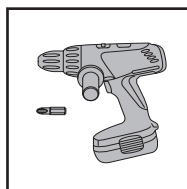
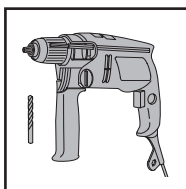


Caution



Note

Tools required:



Content

Description	Page
01. Assembly of frame	3.3
01a. Corner connection (angle-type systems)	3.4
01b. Straight connection (for systems with excess length)	3.5
02. Assembly of upper rail	3.6
03. Arrangement of lower rail (weathered rail)	3.7, 3.8
04. Fitting of panel	3.8
05. Arrangement of inset floor rail (optional)	3.9, 3.10, 3.11
06. Assembly of guide elements	3.12
07. Adjustment	3.13
08. Accessory assembly	3.14

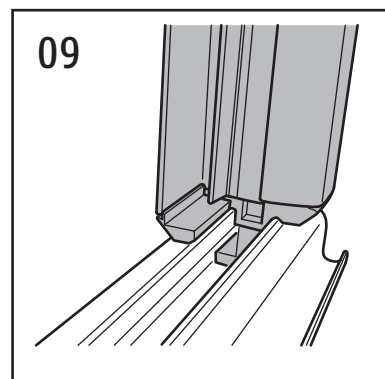
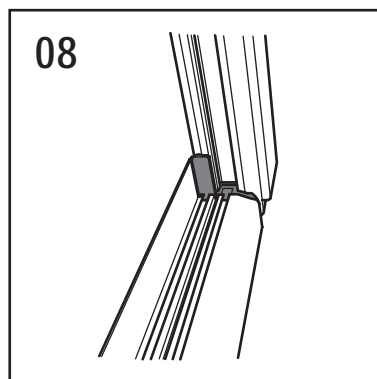
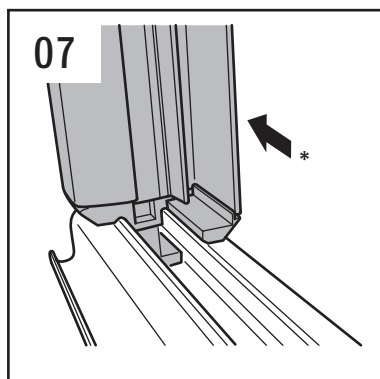
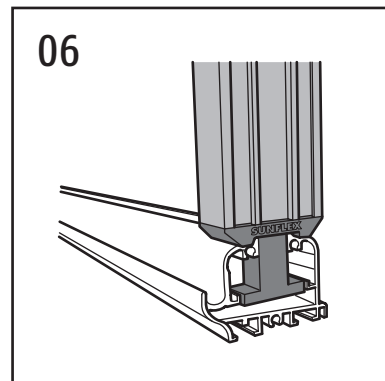
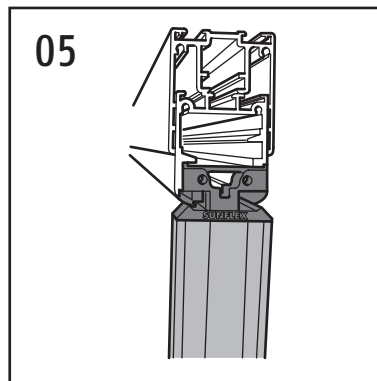
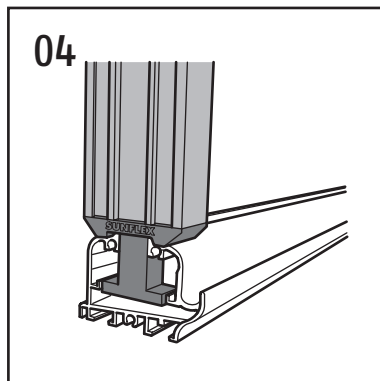
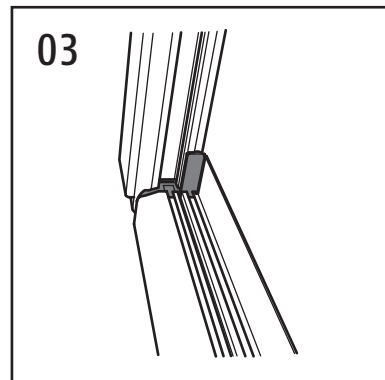
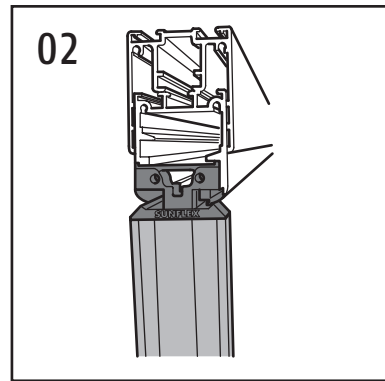
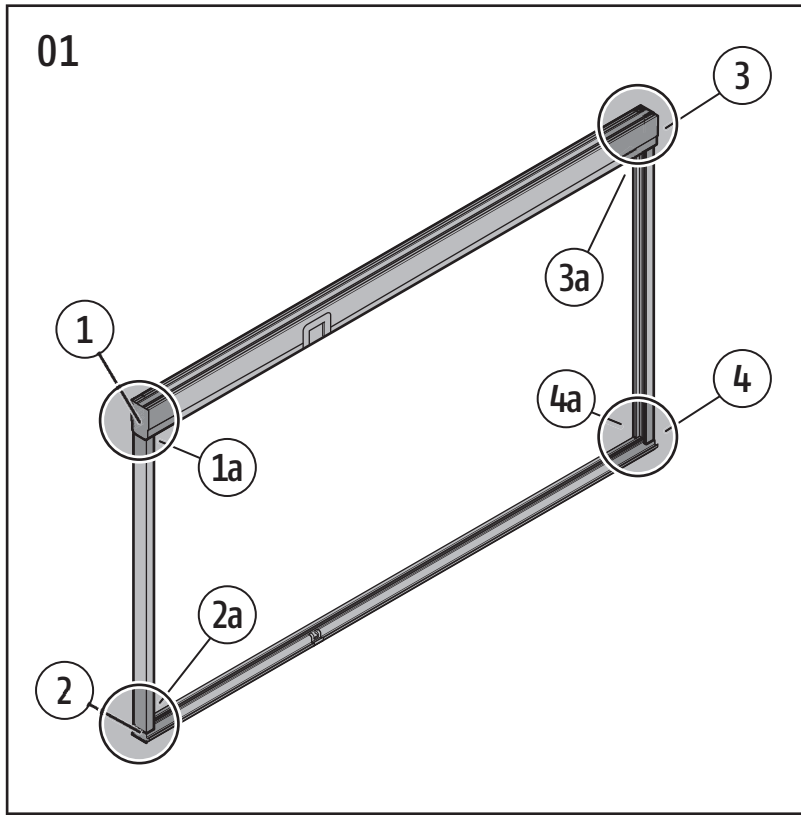


Important:

After successful assembly the fitter must give instructions to the customer in order to avoid incorrect operation.

01. Assembly of frame

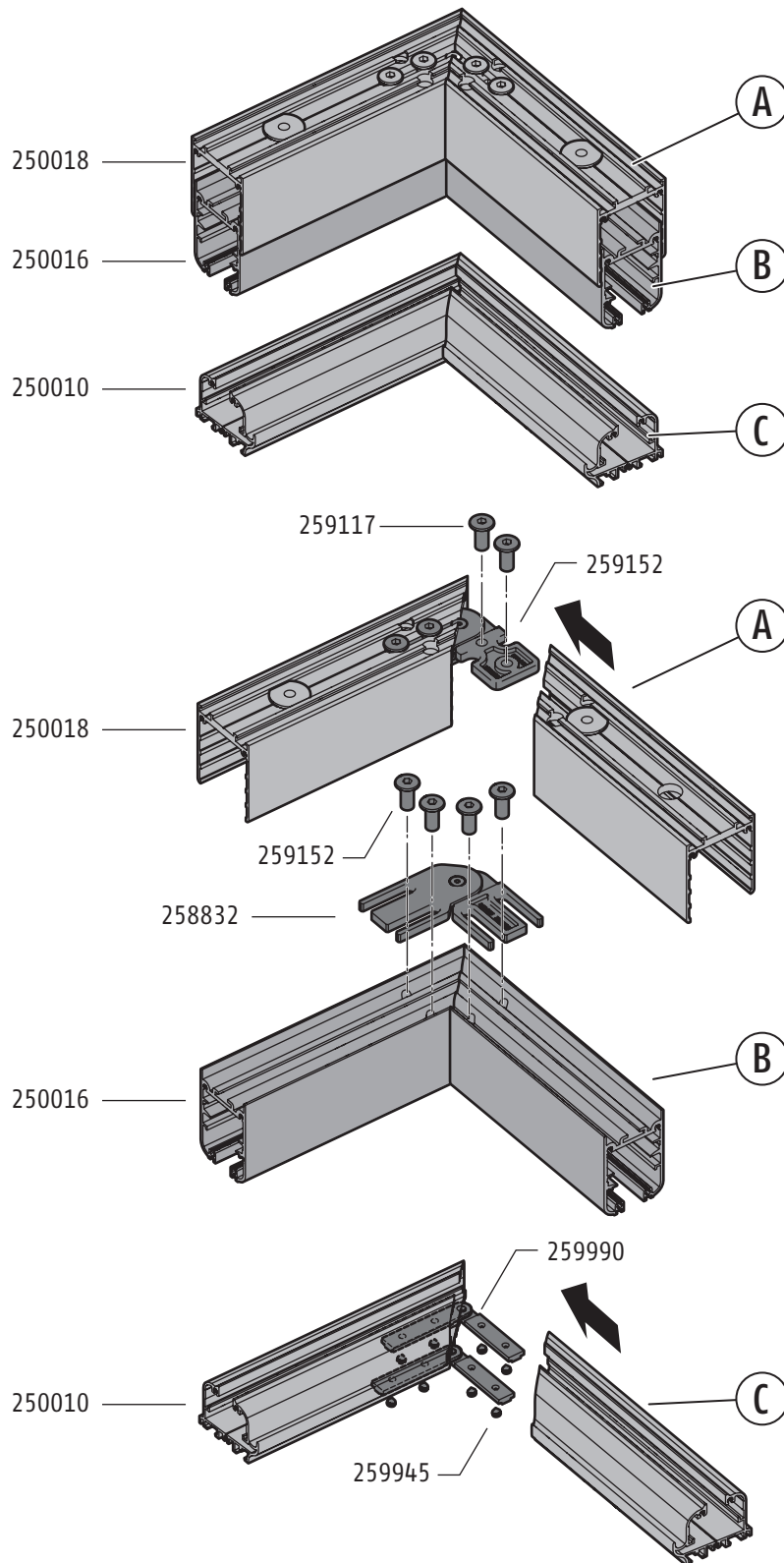
 Only for systems with lateral vertical frame! Note lower/upper mounting shoe!



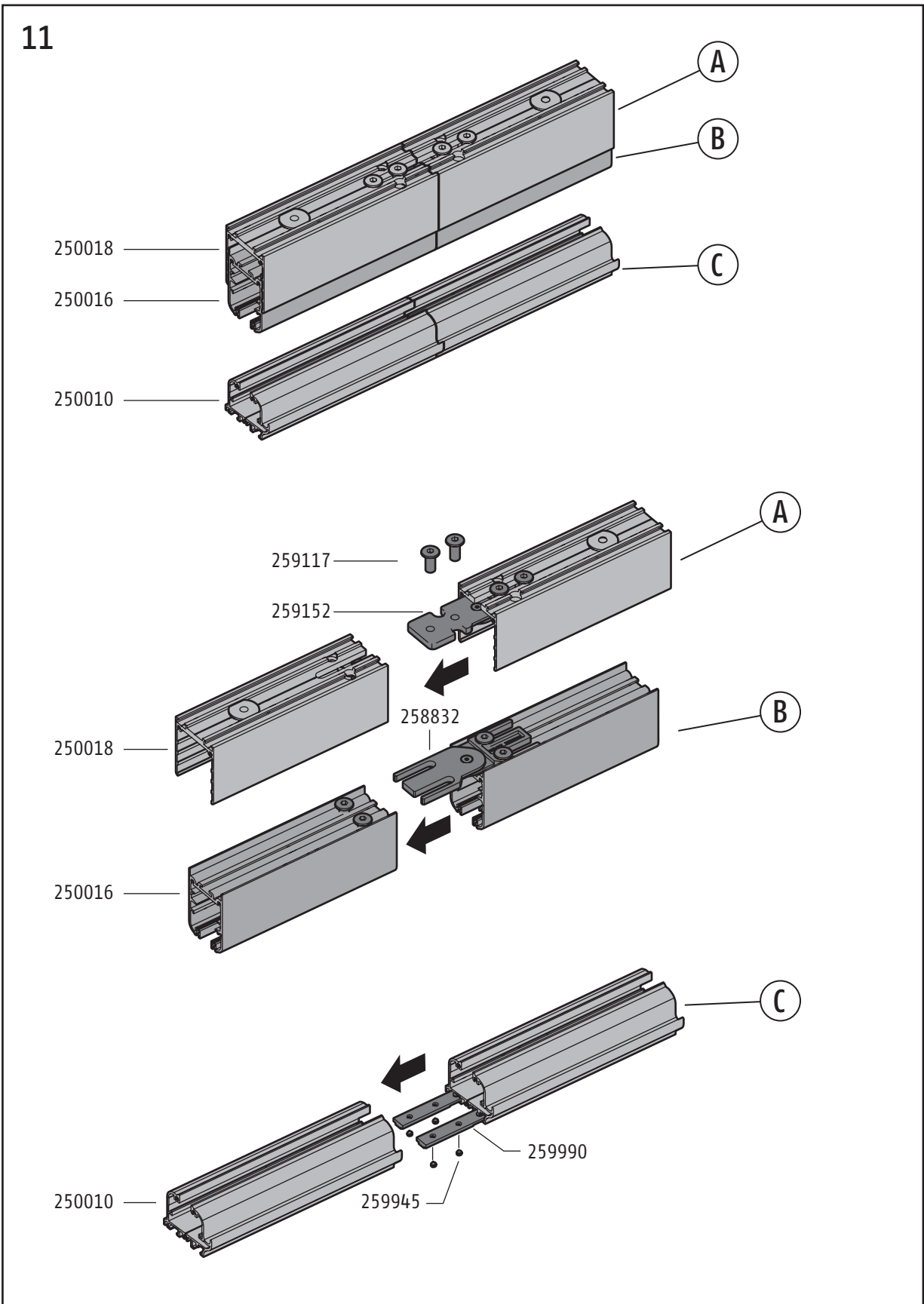
Outside for inside folding! Inside for outside folding*

01a. Corner connection 90° (angle-type systems)

10



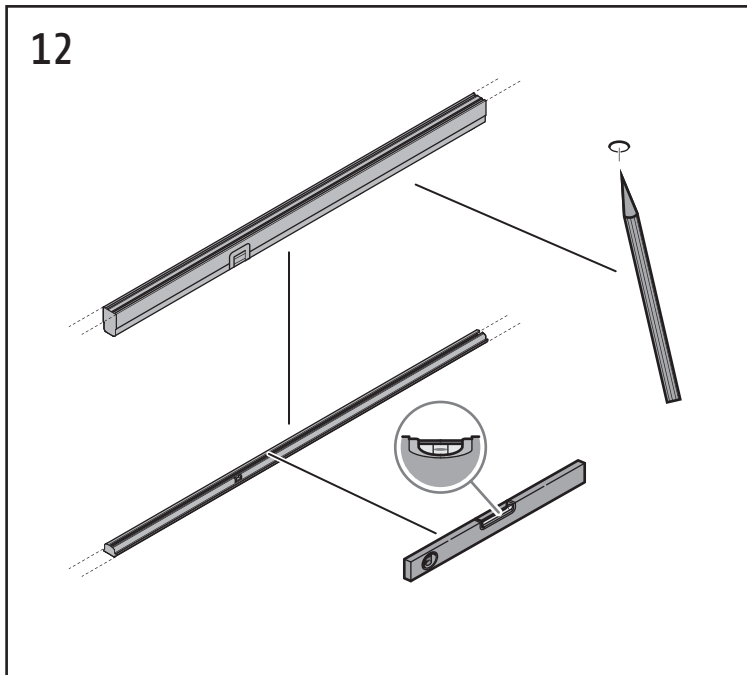
01b. Straight connection (for systems with excess length)



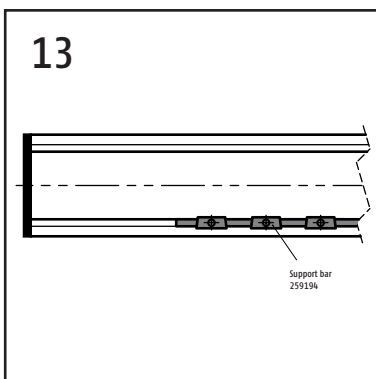
02. Assembly of upper rail



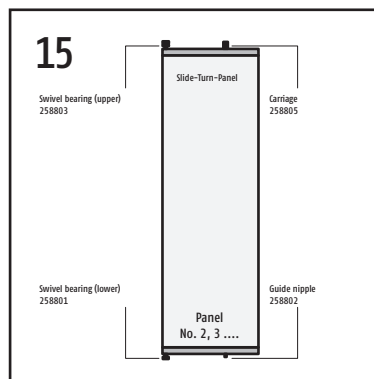
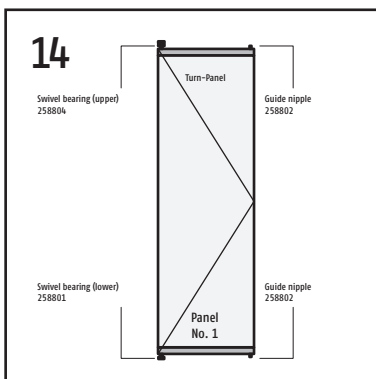
The rail and height compensation profiles are pre-mounted with intermediate setting dimensions and must NOT be separated from each other!



- Place the top rail (including HAP) on the unit and mark out the drill holes.
- Place ceiling rail to one side.
- Pre-drill holes for anchor and insert anchor (we recommend heavy load anchors with good shear and tensile strength qualities, screw head max. diameter 14 mm).
- Now fit ceiling rail horizontally with respect to the ceiling clearance (approx 5mm).
- Lay the floor rail in the structural opening.
- Determine the position of the rail and arrange it horizontally at an appropriate distance to the ceiling rail (panel height + 10 mm).

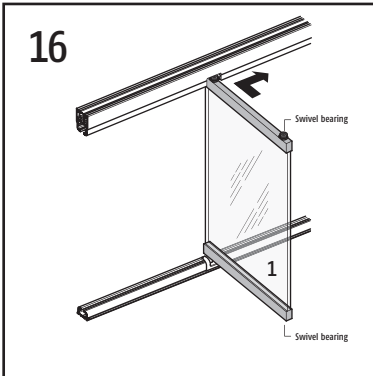


- Remove support bar (259194) above recess before mounting turn panel.
- Reinsert support bar after mounting and securing turn panel.



Illustrations show panel types.

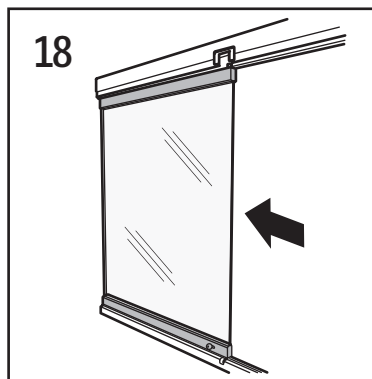
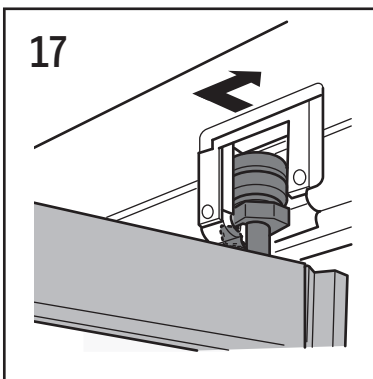
03. Arrangement of lower rail (weathered rail)



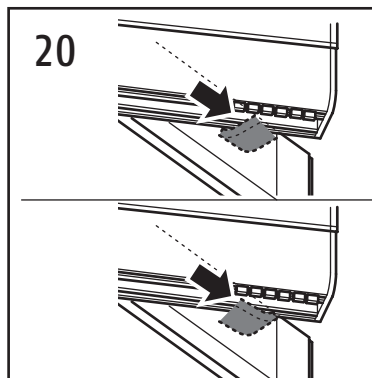
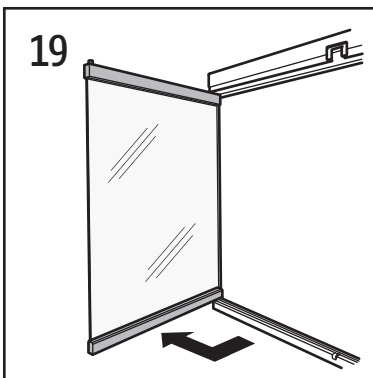
- Insert panel 1 (swivel panel) into the rails through the inspection openings with the stop stud leading as shown in the diagram. Locate clear of the swivel point, insert the ball bearing and the swivel bearing into the rails and then push the complete panel towards the swivel point.



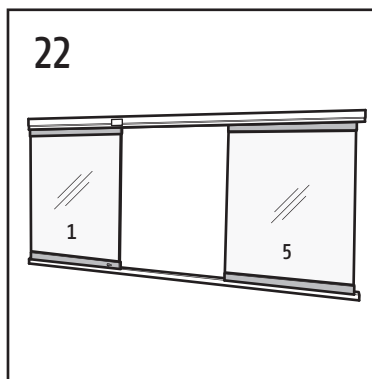
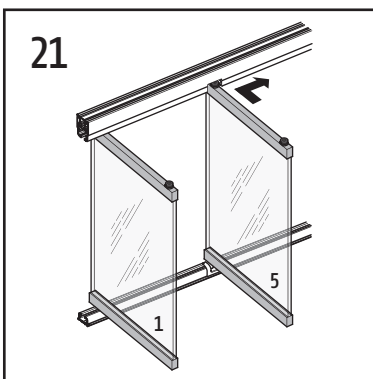
Please note particular attention to the following points in order to avoid incorrect installation!



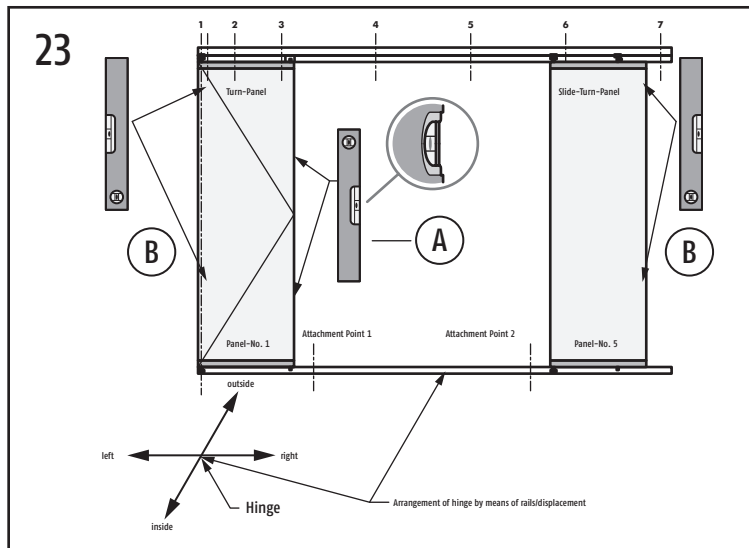
- Insert swivel bearing (258804) through the recess in the top rail towards the hinge.
- Bar is positioned 90° to rail.
- Slide panel towards the hinge whilst turning.



- Slide to stop and secure by turning the bar, see illustration (19).
- Turn bar by 90° inwards (towards recess) until it is positioned lengthways in the rail.



- Loosen delimiter (259965) in the the lower floor rail and displace by about 1 panel width in the direction to the centre of the system.
- Fit panel No 5 (with the carriage leading) and slide towards the rail end.
- By sliding the floor rail right or left the panel can now be set exactly vertical.

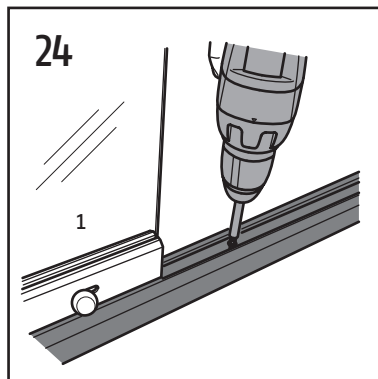


A = Movement right/left by means of spirit level on glass edge and by laying the floor rail on the wall side.

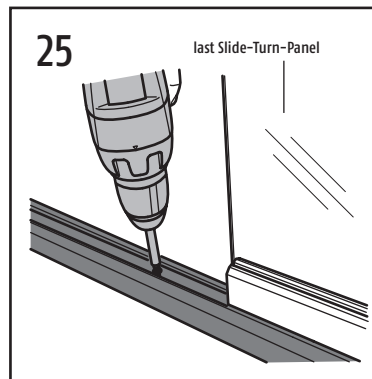
B = Movement inside/outside by means of spirit level on glass edge right and left.



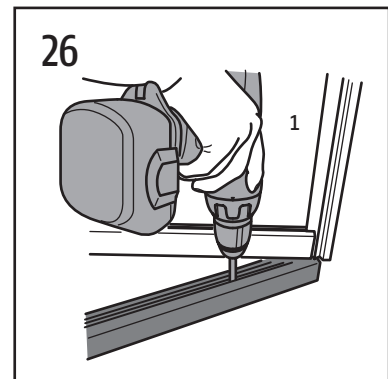
For the follow steps the swivel panel must be supported when open!



• Attachment of floor rail next to closed panel 1.



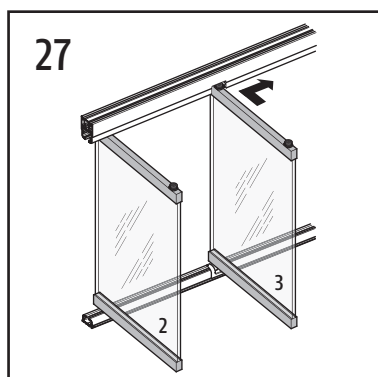
• Attachment of floor rail next to closed panel 2.



• Open swivel panel slightly and place attachment in front of the end positioning stud.
• Next fixing between 2.+ 3. positioning stud.

• Now you can attach the floor rail by additional drill holes at intervals of approx. 400-500 mm to the structure.

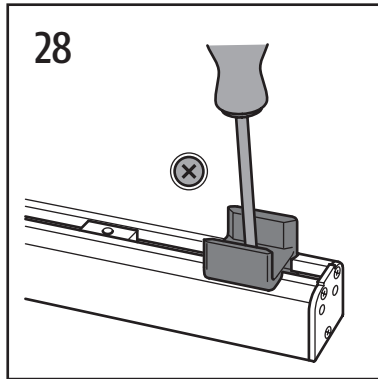
04. Fitting the panel



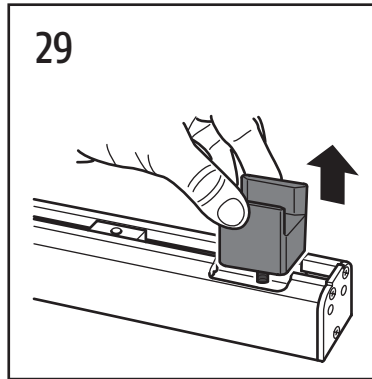
Ensure point 06 is implemented before carrying out test!

- Now insert the panels as shown in the diagram in the rail in the prescribed order (e.g. for a three panel installation first 3 and then 2).
- Rescrew limiter (259965).

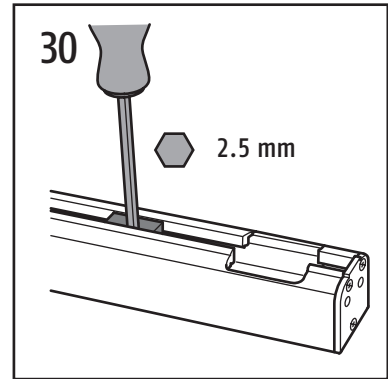
05. Inset floor rail (optional)



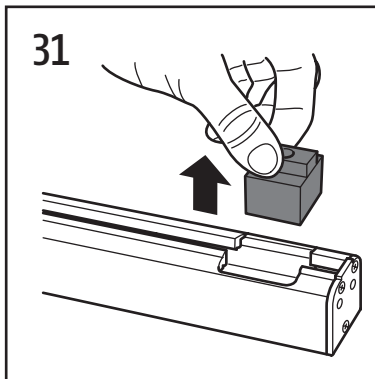
- Unscrew guide block (259924).



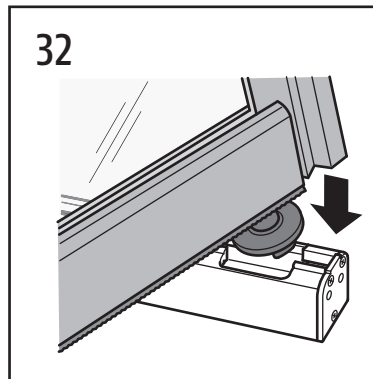
- Remove guide block (259924).



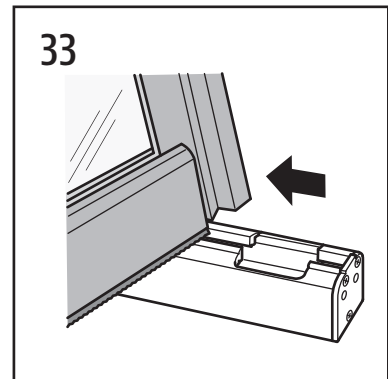
- Unscrew delimiter (259965) with 2.5 mm Allen key.



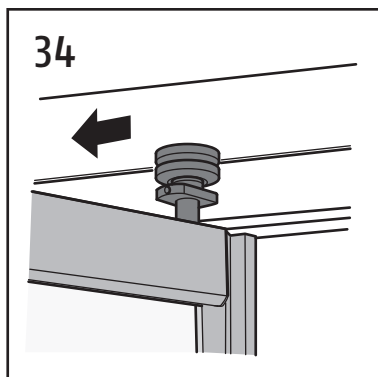
- Remove delimiter (259965).



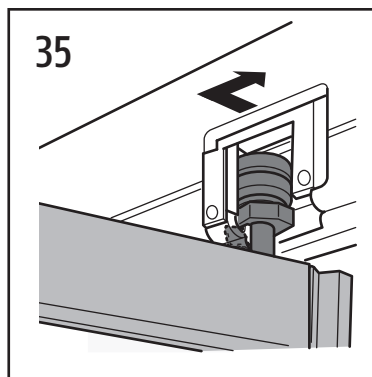
- Insert swivel bearing (258801) of the swivel panel through the opening in the floor rail.



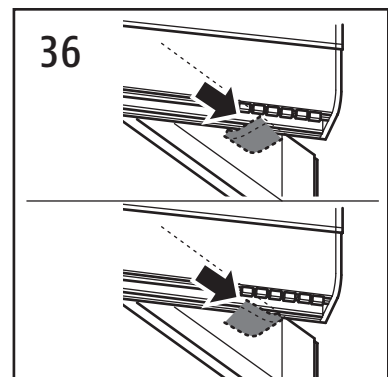
- Guide swivel panel towards the upper recess.



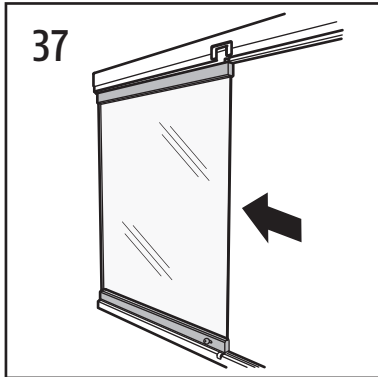
- Slide upper swivel bearing (258804) towards upper recess next to the ceiling rail.



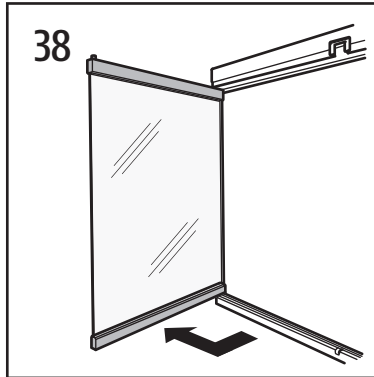
- Guide swivel bearing (258804) through the recess above in the ceiling rail (observe position of bar, see Fig. 36).



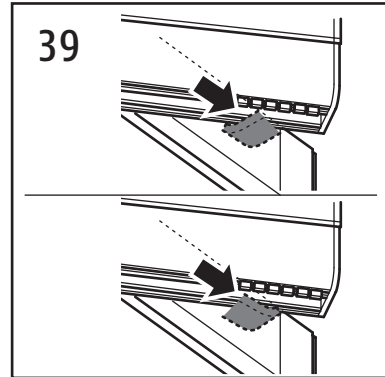
- Bar is positioned 90° to rail.



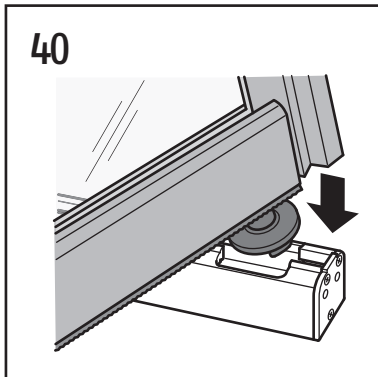
- Slide swivel panel lengthways up to last hinge.



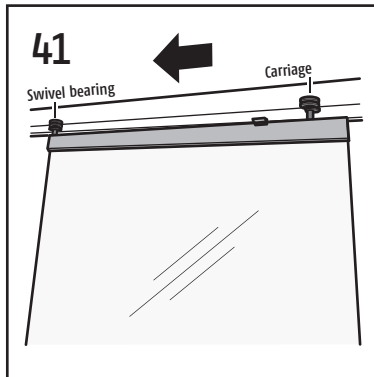
- Slide panel towards hinge whilst turning.



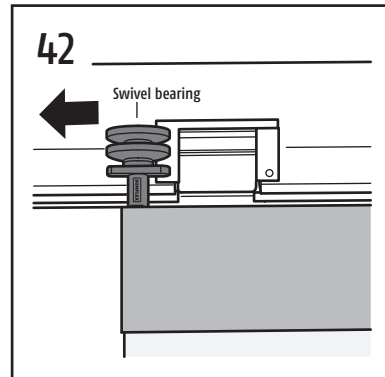
- Turn bar 90° inwards (towards recess) until it is positioned lengthwise in the rail.



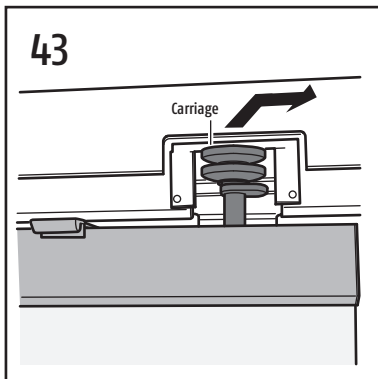
- Insert swivel bearing of panel 2 through the opening in floor rail and slide towards hinge.



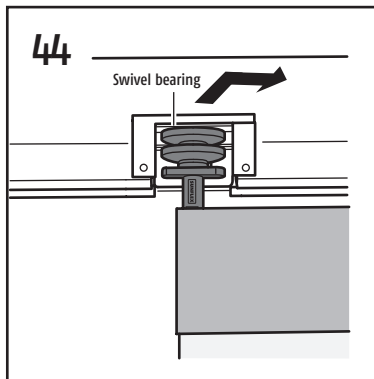
- Guide swivel bearing and carriage parallel to the top rail towards the hinge.



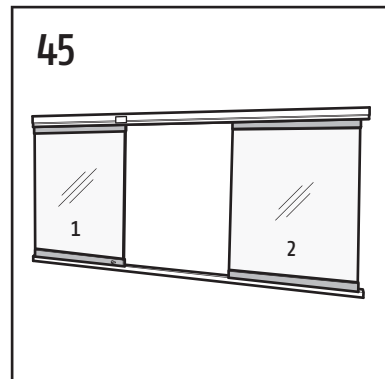
- Guide swivel bearing (258803) past the recess towards hinge.



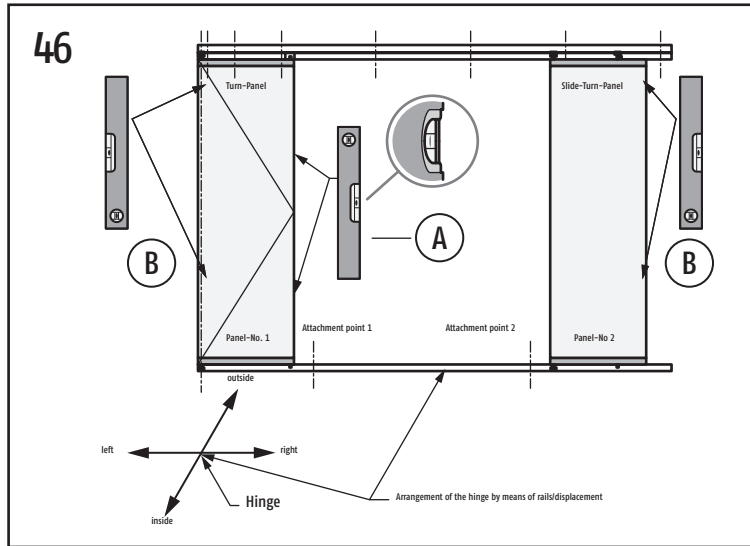
- Insert carriage into recess and then move panel 2 away from hinge.



- Insert swivel bearing into recess and slide panel 2 to the end of the rail.

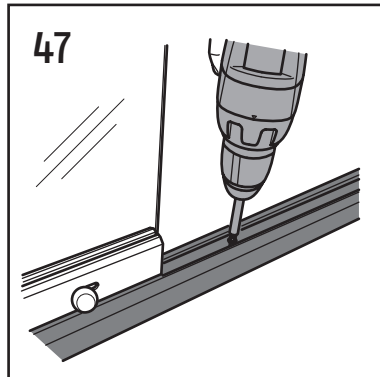


- Installation is positioned as shown and is aligned according to instructions (Fig 46).

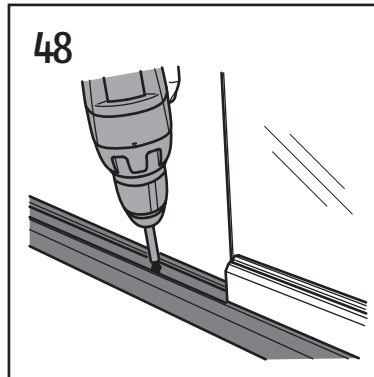


A = Movement right/left by means of spirit level on glass edge and by laying the floor rail on the wall side.

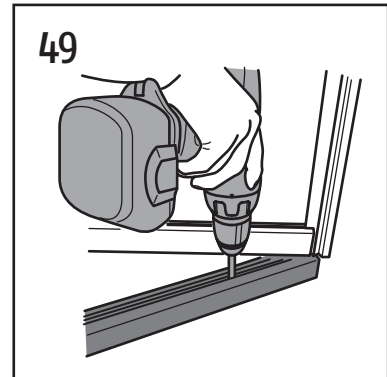
B = Movement inside/outside by means of spirit level on glass edge right and left.



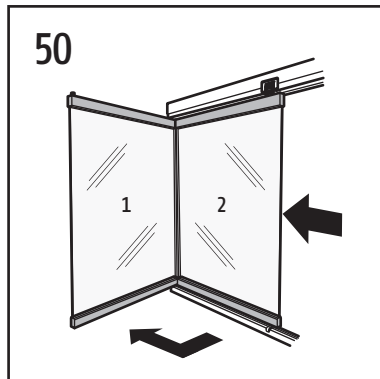
- Attachment of floor rail next to closed panel 1.



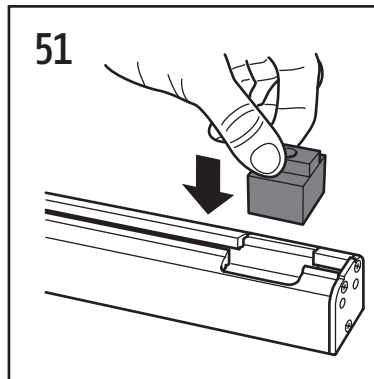
- Attachment of floor rail next to closed panel 2.



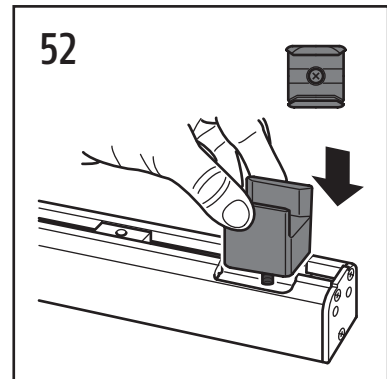
- Open swivel panel slightly and place attachment in front of the end positioning stud.
- Next fixing between 2.+ 3. positioning stud.



- Open panel 2, press towards hinge whilst twisting open.
- Fit panels 3, 4, 5 and proceed as for panel 2.

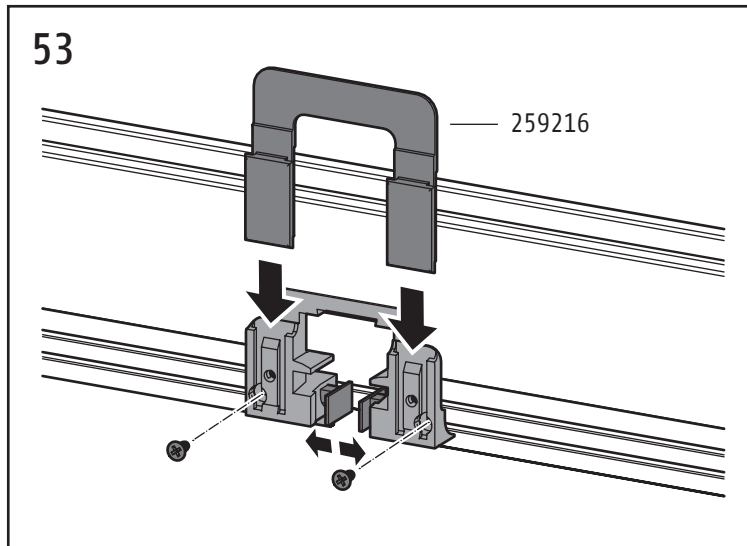


- Fit recess components above (see Page 9).
- Fit delimiter, slide against swivel bearing of last panel and screw.

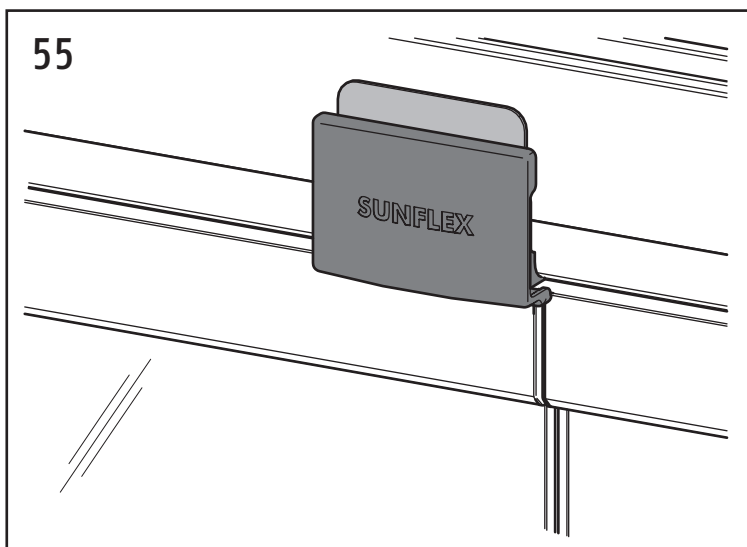
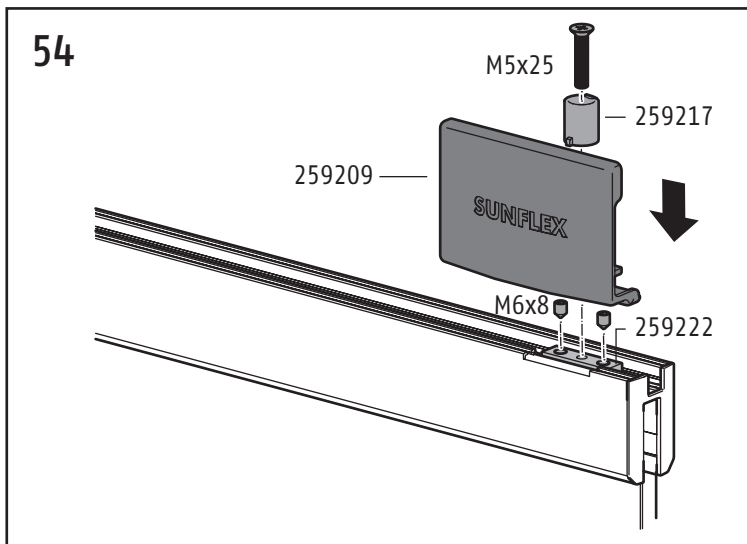


- Insert guide block and screw tight.
- Wide face outside, narrow face inside!

06. Assembly of the guide elements



• Assemble as shown in the illustration.



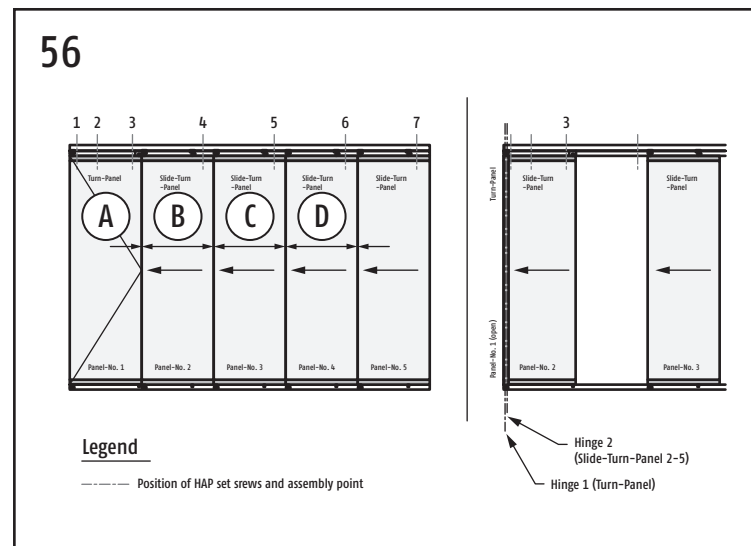
07. Adjustment

Without height adjustment profile:

- If the upper and lower glass retaining profiles are not exactly matched to each other this can be compensated for by fitting spacers under the upper rail (similar to adjustment with the height compensation profile).

With height adjustment profile:

- Set the swivel panel to a height that allows a 5 mm gap to appear between the panel and the guide rail. To do this use the furthestmost adjusting screw above the swivel point of the swivel panel. Now slide the second panel towards the opened swivel panel. Check that panel 2 butts up against panel 1 both above and below (swivel bearing against swivel bearing). This can be adjusted via adjusting screw 3 adjacent to the recess between panels 1 and 2.



When adjusting the rail always re-adjust the additional support screw (screw 2) in the centre of the first panel.

Explanation of adjusting screw use:

Adjusting screw 1: This adjusting screw determines the clearance to the floor rail.

Adjusting screw 2: Auxiliary screw for load bearing. **Not an adjusting screw!!!** It must only be slightly tightened in order to retain load-bearing capability.

Adjusting screw 3: This screw is used to set the parallelism of hinge 1 and hinge 2.

Caution: If this setting is incorrect the mechanism may be damaged!

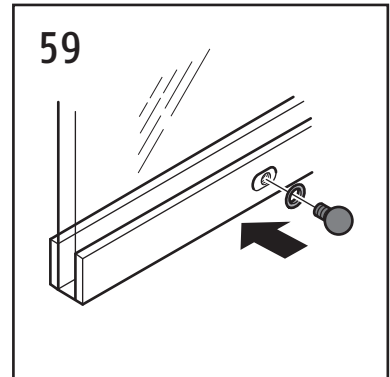
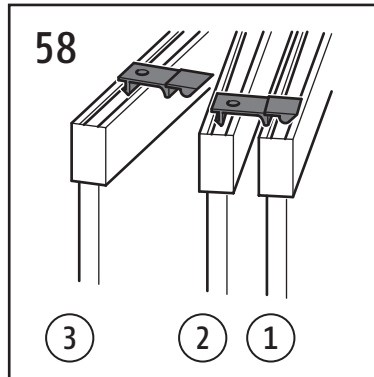
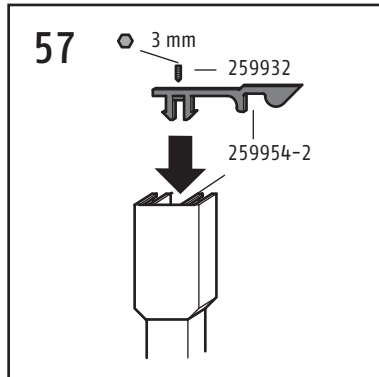
Adjusting screw 4: This adjusting screw sets the parallelism of gap A

Adjusting screw 5: This adjusting screw sets the parallelism of gap B

Adjusting screw 6: This adjusting screw sets the parallelism of gap C

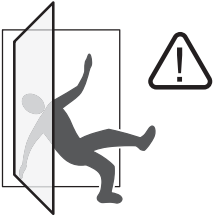
Adjusting screw 7: This adjusting screw sets the parallelism of gap D

08. Accessory assembly

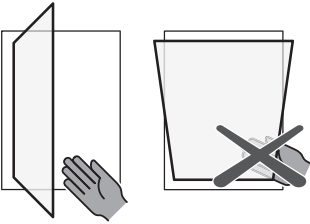


- The supplied panel rails (259954-2) are fitted to the upper section of the panel as shown in Fig. 57.
- These panel clips ensure that the panels are secured to each other when open as shown in Fig. 58.
- Arrange panel clips in offset positions.
- Push the insulation bush over the grub screw. Now screw the complete unit into the lower locking slide.
Screw into the slide bar ensuring that the slide remains free to move.
- As shown in Fig. 59 the slide is secured by screw tight.

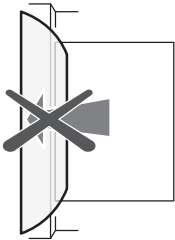
Safety instructions



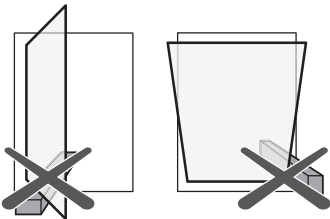
- Risk of injury by falling through open windows.



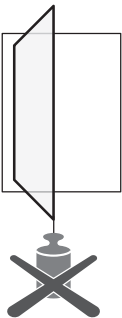
- Risk of injury by trapping of body parts.



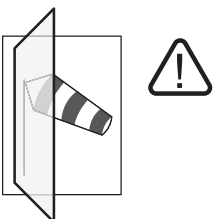
- Risk of injury and material damage by pressing the panel against the opening edge.



- Risk of injury and material damage by placing obstacles between panel and frame.

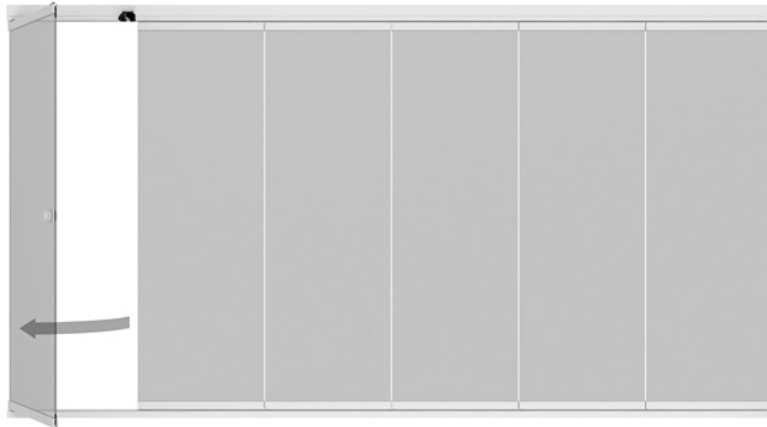


- Risk of injury and material damage due to additional load at the panel.

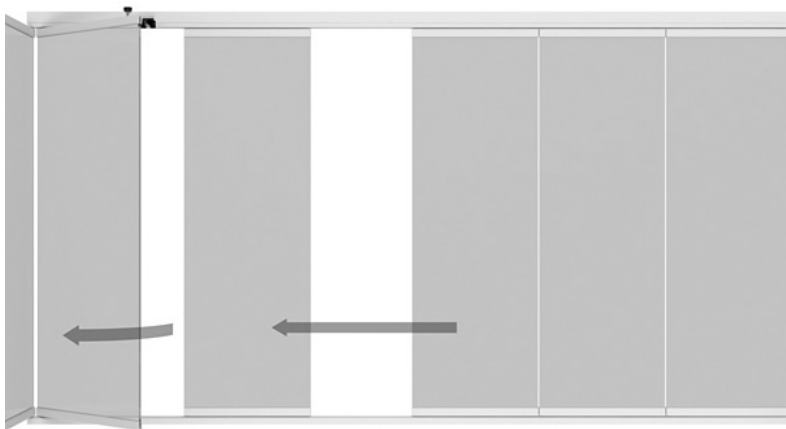


- Risk of injury by wind action.

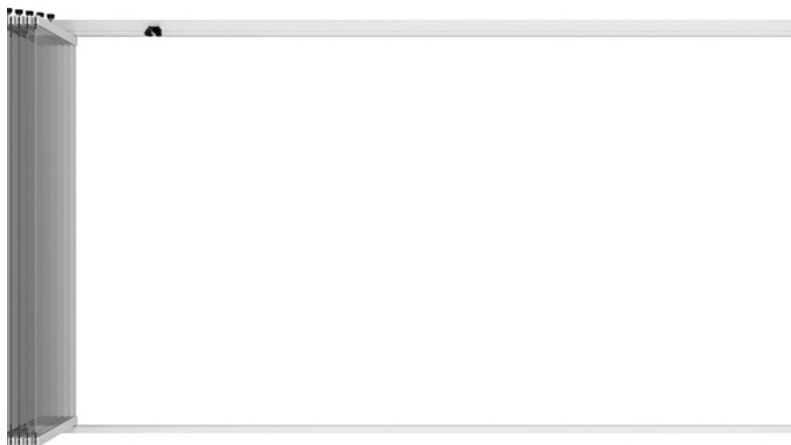
Handling



Simple opening by operation of a turn knob



Easy sliding and turning of the individual elements



Parking the elements

Maintenance and servicing instructions

General

External building parts are not only subject to the weather, but also increased stress caused by smoke, industrial fumes and aggressive airborne dust. In conjunction with rain and dew, deposits of these substances may affect the surface and change the appearance. External parts must therefore be cleaned (at least twice annually or more frequently depending on the degree of contamination) to avoid possible settling of deposits. The sooner you remove dirt from the surface, the easier it is to clean. Observe the safety instructions and instructions for use of the respective servicing and cleaning products. When cleaning do not use a material with an unknown composition. If you are not certain about the effect of the cleaner, then test it first by cleaning a visually unimportant, non-exposed portion of the component.

Fittings

All fittings must be regularly checked for tightness and wear. Attachment screws must be tightened and defective parts replaced as required. In addition, at least once a year, all moving and sliding fittings must be lightly greased with fitting grease. Only servicing and cleaning agents that do not affect the corrosion protection of fittings should be used.

Glass surfaces

Dirty glass surfaces can be cleaned using water and a sponge or cloth, etc. Commercially available non-abrasive glass cleaners (such as Ajax, Pril, etc.) can be added to the water. Stubborn stains such as paint or tar splashes should be removed with methylated spirits or white spirit.

Caution!

Do not use alkaline caustic solutions, acids, and fluoride-containing detergents to clean glass surfaces.

Caution!

A suitable protective film should be used to protect the glass surface against mortar spattering, cement slurry, sparks or weld spattering from partitioning screens and stone-facade acidic-cleaner..

Seals

All seals must be cleaned and lubricated at least once a year to ensure good functioning. For this purpose we recommend the use of a seal care product. The care product maintains the suppleness of the seal, thus preventing premature brittleness. Ensure that the seals are not damaged and do not come into contact with solvent materials.

Aluminium surfaces

Anodizing and powder coating is a highly durable and decorative finishing for aluminium components. To maintain the decorative appearance of such components for decades, the surfaces need to be regularly maintained by means of cleaning twice a year.

Cleaning anodized surfaces

Cleaning of the surfaces must not take place in direct sunlight, the surface temperature must not exceed 25°C. Use only neutral pH cleaners such as normally diluted washing up liquid. Abrasive or scouring materials must not be used to clean heavily soiled, anodized surfaces – cleaning pastes are available.

Cleaning powder-coated surfaces

In the same way as for anodized elements, cleaning must be carried out whilst cold (maximum of 25 °C surface temperature). In this case also, use only pH-neutral material. Solvent-based cleaners attack the surface of the powder coating and, like scouring or abrasive cleaners, should not be used. To remove stubborn fat and greasy dirt we recommend aroma-free methylated spirits. This must only be applied for a short time and then rinsed off with clean water. In addition, we recommend treatment with car wax to leave a water-repellent film. Check on a non-exposed area whether the material used has an adverse effect on the shine.

Wood surfaces on wood/aluminium elements

For the cleaning of internal wood surfaces it is best to use mild detergent such as dilute detergent and soap suds. Since the internal wood surfaces are not subject to wear and weathering by rain and sun light, painting is not required. Avoid abrasive, corrosive and solvent-based cleaners. Use only soft cloths to avoid scratching the paint surface. Window cleaners contain small traces of alcohol and ammonium chloride. These materials are very suitable for cleaning the glass as well as the wood-frame sections. After cleaning, dry the wood profiles with a dry, soft cloth, because extended exposure to alcohol can soften the paint surface.

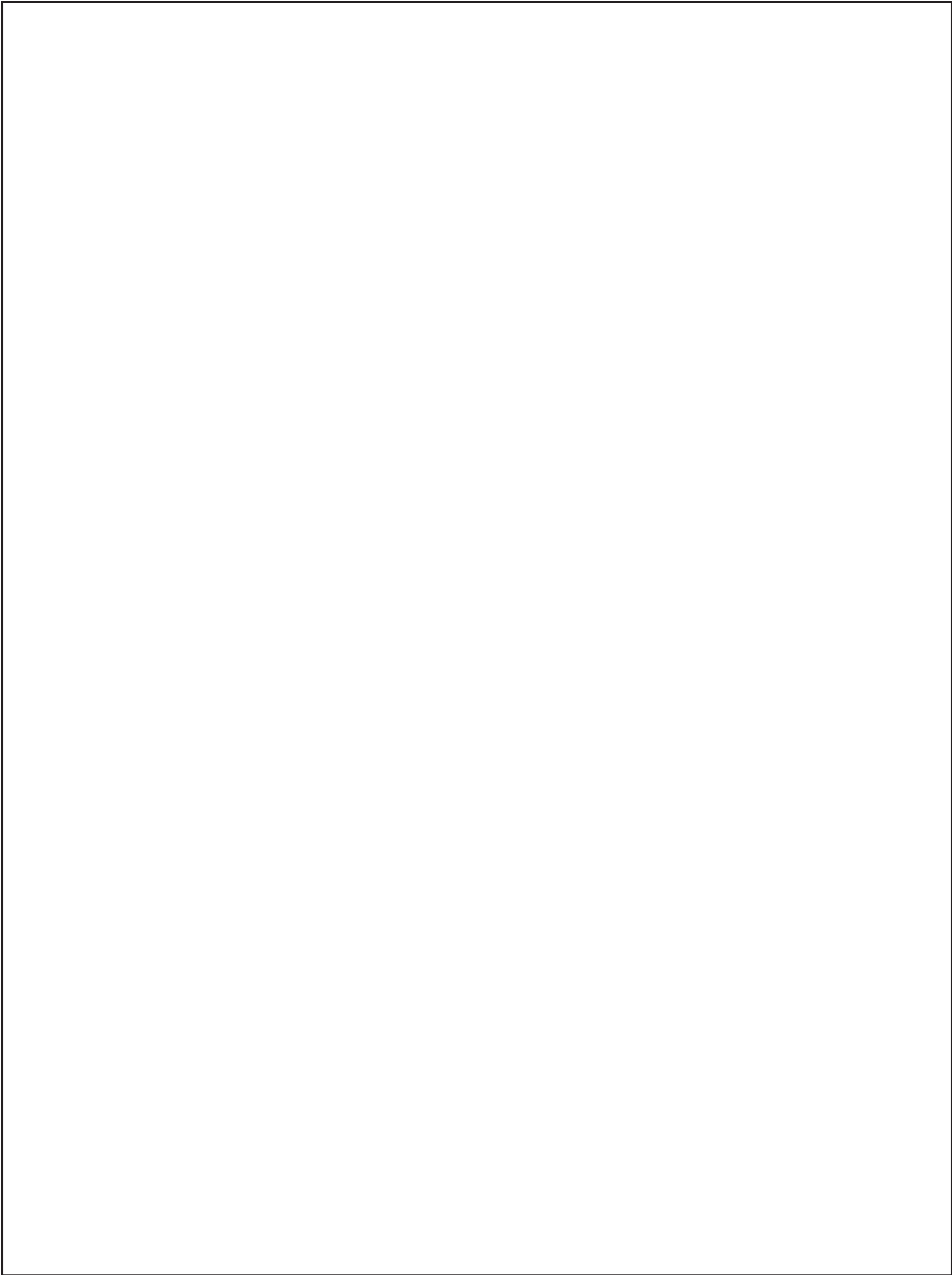
SUNFLEX Aluminiumsysteme GmbH
Im Ruttenberge 12
D-57482 Wenden-Gerlingen
Tel.: +49 (0) 2762 / 9253-0
Fax: +49 (0) 2762 / 9253-280
info@sunflex.de

Limited Warranty

Seller warrants that the Products will, when delivered, substantially conform to the respective written Product description furnished to Purchaser, and all Products to be free from defects in material and workmanship within twenty four (24) months period from the date of manufacture and will perform in accordance with SUNFLEX operating instructions if properly installed, used and serviced. Should a Product(s) become defective within such period, Purchaser at its cost shall submit its claim and the defective Product to SUNFLEX and the sales receipt stating the defects and the circumstances under which the defect occurred in which case SUNFLEX will examine, and upon establishing Purchaser's validity of claim, at its sole discretion repair the Product(s), exchange the Product(s), or refund the purchase price, which shall fully satisfy and discharge any and all warranty claims. Warranty related inquiries should be addressed to the following address: SUNFLEX WALL SYSTEMS LP c/o Warranty Service, Naples, Florida. This warranty extends only to Product(s) installed as specified for the respective Product(s) and does not extend to any product(s) (i) which has been used inconsistent with its intended use, (ii) has not been properly installed by a qualified licensed technician experienced in the installation of the Product(s), (iii) which was modified or repaired by anyone other than SUNFLEX personnel or authorized service representative, (iv) damaged because of misuse, neglect or improper installation or service. No warranty of fitness for a particular purpose is made. In addition, the foregoing warranty shall not apply to any parts or components not manufactured by Seller.

THE WARRANTIES SET FORTH HEREIN ABOVE ARE IN LIEU OF ALL OTHER WARRANTIES EXPRESS OR IMPLIED. THE SALE IS MADE ON THE EXPRESS UNDERSTANDING THAT THERE IS NO IMPLIED WARRANTY THAT THE PRODUCTS SHALL BE FIT FOR ANY PARTICULAR PURPOSE. THE PURCHASER ACKNOWLEDGES THAT PURCHASER IS NOT RELYING ON SELLER'S SKILLS OR JUDGMENT TO SELECT OR FURNISH PRODUCTS SUITABLE FOR ANY PARTICULAR PURPOSE OR JOB OR TO DETERMINE FEASIBILITY OF THE PRODUCTS FOR ANY PARTICULAR PURPOSE. THE PURCHASER ACKNOWLEDGES THAT THERE ARE NO WARRANTIES WHICH EXTEND BEYOND THE DESCRIPTION HEREIN. IN NO EVENT SHALL SUNFLEX BE LIABLE FOR CONSEQUENTIAL, INCIDENTAL, OR SPECIAL DAMAGES, AND DAMAGES ARISING OUT OF THE PURCHASE, UNLOADING, HANDLING, AND USE OF ANY PRODUCTS, ALL OF WHICH ARE WAIVED BY PURCHASER AND IN ANY EVENT, DAMAGES HEREUNDER SHALL BE LIMITED TO A MAXIMUM OF THE PURCHASE PRICE. THIS WARRANTY GIVES THE CONSUMER SPECIFIC LEGAL RIGHTS AND THE CONSUMER MAY ALSO HAVE OTHER RIGHTS WHICH MAY VARY FROM STATE TO STATE.

The Purchaser shall inspect and accept or reject acceptance of the Products immediately upon the arrival and shall, within five (5) days after the arrival, give written notice to SUNFLEX of any claim that the Product(s) do not conform with the terms of the order. If the Purchaser shall fail to give such notice, the Product(s) shall be deemed to have been accepted and the Purchaser shall pay for the products in accordance with the terms of the order. The purchaser expressly waives any rights the Purchaser may have to revoke acceptance after such five (5) day period.



TERMS OF SALE

1. Purchase of Products

- A Except to the extent otherwise agreed upon in writing, the terms set forth herein shall govern the sale and delivery of the wall systems described on the reverse side hereof ("Products") by Sunflex Wall Systems LP ("Seller") and purchased by the purchaser named on the reverse side hereof ("Purchaser").
- B All dealings between the parties shall be in writing and no order of Purchaser shall be binding on Seller until approved in writing by Seller.
- C Prices of Products are subject to change without notice, and all references in sales brochures, technical data sheets and offers as to size, weight, and other details of the Products are approximate only. No such term shall be binding on Seller unless expressly incorporated in a purchase order which is approved and accepted by Seller in accordance with the terms hereof.
- D Except as provided in subsection (e) of this Section 1, a purchase contract hereunder shall become effective upon the mailing of a written acceptance of Purchaser's order by Seller.
- E If the terms stated in Purchaser's order are not acceptable to Seller, Seller may amend, delete or alter such terms and submit a counter-offer incorporating such amendments, deletions or alterations to Purchaser, it being understood and agreed that such counter offer shall be deemed accepted by Purchaser and shall become binding on the parties if and in case Seller does not receive notice to the contrary from Purchaser within 3 (three) days after Seller has sent such counter-offer to Purchaser.
- F Purchaser acknowledges that Seller's acceptance of any purchase order is dependent on Seller's prior approval of Purchaser's credit. Purchaser agrees that Seller may demand assurances of Purchaser's ability to pay by requesting such trade or banking references or such other information as deemed adequate by Seller.

2. Delivery

- A Unless expressly agreed upon in writing to the contrary, the terms of delivery are Delivery Duty Paid (DDP) to Purchaser's receiving dock. Seller will use commercially reasonable efforts to make the products available for pick up by Purchaser or delivery within a reasonable time after acceptance of an order from Purchaser.
- B Purchaser bears the risk of loss or destruction of the Products upon and after the first to occur of (i) signed receipt and acceptance of delivery of Products by Purchaser or his agent, (ii) pick-up or acceptance of the Products by Purchaser or its common carrier at Seller's place of business or (iii) the 14th (fourteenth) day after notification from Seller that the Products are ready for pick-up or delivery from the seller's place of business. In the event the Purchaser requests a delay in pick-up or delivery, Purchaser assumes all risk of loss, damage and/or destruction of the Products from the date the Products are ready to be picked up or delivered.
- C Purchaser agrees that it will pick up at Seller's place of business or agree for Seller to ship Products purchased for delivery within 14 (fourteen) days after written notification from Seller that Products are ready to be received by Purchaser. If Purchaser does not pick up or agree to have Seller ship products within 14 (fourteen) days after notification from Seller and/or Seller is required to store the Products due to any delay caused by Purchaser, Purchaser shall reimburse Seller for reasonable storage charges.

- D Seller reserves the right to make the Products available for pick-up and delivery in installments provided that such installments shall not be less than one product unit, unless otherwise expressly stipulated to the contrary in a written document signed by Seller. Delay in delivery of any installment shall not relieve Purchaser of its obligation to accept remaining deliveries.
- E If Purchaser should request any modification of the order after Seller's acceptance, Seller shall have the right to extend the delivery time period as reasonably needed to complete Purchaser's change order.

3. Force Majeure

Notwithstanding anything to the contrary, Seller shall not be liable for any delay or failure to perform hereunder when such failure or delay is, directly or indirectly, caused by, or in any manner arises from fire, floods, accidents, civil unrest, acts of God, war, terrorism, governmental interference or embargoes, strikes, labor difficulties, shortage of labor, fuel, power, materials, or supplies, breakage of machinery or apparatus, transportation delays, or any other cause or causes (whether or not similar in nature to any of those hereinbefore specified) beyond its control.

4. Warranties and Claims

- A Seller warrants that the Products when delivered shall comply with standards and limitations set forth in the Limited Warranty.
- B Purchaser shall within five (5) working days after its receipt of the Products, and in any event no later than thirty (30) days from the shipping date, give written notice to Seller of any claim that the Products do not conform with the terms of the order or have material defects which a casual inspection would disclose. If Purchaser fails to give such notice, the Products shall be deemed to conform to the terms of the order, and Purchaser shall be deemed to have accepted and shall pay for the Products in accordance with the terms of this order. Purchaser expressly waives any right Purchaser may have to revoke acceptance or claim a breach of warranty with respect to such obvious or material defects, a casual inspection should have disclosed after such five-day period.

EXCEPT AS SET FORTH EXPRESSLY IN SELLER'S STANDARD WRITTEN WARRANTY WITH RESPECT TO THOSE ITEMS MANUFACTURED BY SELLER, SELLER MAKES NO REPRESENTATIONS OR WARRANTIES OF ANY KIND, EXPRESS OR IMPLIED, WRITTEN OR ORAL, WITH RESPECT TO THE PRODUCTS, INCLUDING, WITHOUT LIMITATION, ITS MERCHANTABILITY OR FITNESS FOR A PARTICULAR PURPOSE.

PURCHASER ACKNOWLEDGES THAT PURCHASER IS NOT RELYING ON SELLER'S SKILL OR JUDGMENT TO SELECT OR FURNISH PRODUCTS SUITABLE FOR ANY PARTICULAR PURPOSE OR JOB, OR TO DETERMINE THE FEASIBILITY OF THE PRODUCTS FOR ANY PARTICULAR APPLICATIONS. PURCHASER ACKNOWLEDGES THAT THERE ARE NO WARRANTIES WHICH EXTEND BEYOND THE DESCRIPTION HEREIN. NEITHER SELLER NOR ANY OF ITS AFFILIATES SHALL BE LIABLE FOR, AND PURCHASER WAIVES ANY CLAIM AGAINST SELLER AND ITS AFFILIATES FOR, MULTIPLE, INCIDENTAL, SPECIAL OR CONSEQUENTIAL DAMAGES, INCLUDING, BUT NOT LIMITED TO, DAMAGE OR LOSS OF OTHER PROPERTY OR PRODUCTS, LOSS OF PROFITS OR REVENUE, LOSS OF USE OF MACHINERY OR PARTS THEREOF, INABILITY TO PERFORM SPECIFIC PROJECTS, COST OF CAPITAL, INJURIES TO OR DEATH OF PERSONS OR DAMAGE TO PROPERTY OR CLAIMS RESULTING FROM CONTRACTS AND/OR AGREEMENTS BETWEEN PURCHASER, ITS CUSTOMERS AND/OR SUPPLIERS, IN EACH CASE WHICH IN ANY WAY RELATE TO THE PURCHASE OF PRODUCTS BY PURCHASER OR THE USE OF THE PRODUCTS.

5. Prices

- A All prices quoted by Seller are in U.S. funds and shall be on a net basis DDP (Delivered Duty Paid) to Purchaser's receiving dock.
- B All prices quoted by Seller are subject to adjustment due to Purchaser's change orders, if any.
- C Unless otherwise expressly agreed upon in writing, the price quoted includes the cost of packaging, special containers, crating, palletizing, applicable taxes and duties, shipping, insurance or any other cost to provide Products to Purchaser.

6. Payment

- A Unless otherwise expressly agreed upon in writing, payment shall be made in full according to the terms specified on page 1 hereof. Purchaser shall not withhold or reduce payments on account of complaints, claims, or counterclaims not acknowledged and accepted by Seller.

7. Default

- A Purchaser shall be in default (hereinafter .Default.) under this Agreement and Seller may terminate this Agreement and exercise all other remedies in law or in equity if Purchaser: (i) fails to make payment hereunder to Seller when due; or (ii) breaches any other term, provision or condition contained in this Agreement; or (iii) is declared to be in default under any other agreement between Purchaser and Seller, and if in any of the foregoing cases set out in (i), (ii) or (iii), Purchaser fails to cure any said breach or default within 5 (five) days following written notice thereof from Seller.
- B Upon the occurrence of a Default, Seller may elect to exercise any one or more of the following options:
 - i. Seller may hold the Products until such time as Purchaser has paid the respective purchase price and any expenses (including finance charges, returned check fees and interest determined at a rate equal to the lower of eighteen percent (18%) per annum or the maximum rate permitted by applicable law incurred by Seller as a consequence of such default.
 - ii. Seller may sell the Products to a third party and require Purchaser to reimburse Seller for any losses, or expenses associated therewith.
 - iii. Seller may require payment in cash prior to delivery of any Products hereunder.
 - iv. Seller may withhold any Products not delivered to Purchaser at the time of the default.
 - v. Seller may terminate this Agreement.
 - vi. Seller may exercise all other rights hereunder and may seek all other remedies available to it in law or in equity.
- C Purchaser agrees that, in the event any legal action should be deemed necessary by Seller to recover any sums due hereunder or under any promissory note, trade acceptance, or invoice, or, if applicable, to recover possession of the Products, as defined hereinabove, or any proceeds from the sales thereof, there shall be added to the sums due from Purchaser to Seller the costs of collection, including reasonable attorney's fees.
- D When reasonable grounds for insecurity arise with respect to Purchaser's performance, Seller may in writing demand assurance of due performance and until it receives such assurance may suspend any performance for which it has not already received payment.

8. Protection of Trade Secrets and Confidential Information

The parties hereto agree that

- A Except as provided for in subsection (b) of this Section, Purchaser shall not disclose any Trade Secrets or Confidential Information of the other party to any individual or entity not a party to this Agreement.
- B Purchaser may make available Trade Secrets or Confidential Information to its qualified employees, as defined herein after, to the extent that such information must be disclosed to such qualified employees to apply the Trade Secrets or Confidential Information to its intended use. A "qualified employee" shall mean any individual employed by or affiliated with Purchaser who is bound by a valid and fully enforceable confidentiality agreement which contains confidentiality obligations substantially similar to the confidentiality obligations stated herein, prior to disclosure of the Trade Secrets and Confidential Information to such employee.
- C For purposes of this Agreement the following terms shall have the meanings set forth below:
 - i. The term "Trade Secrets" shall mean and include any and all designs, plans, processes, tools, mechanisms, programs or compounds known to only Seller, or to those of its clients and employees to whom they must be confided in order to be applied to the uses intended, some or all of which may arise to the level of being patentable or subject to copyrights, all as further defined under the laws of the State of Florida.
 - ii. The term "Confidential Information" shall mean and include information not rising to the level of Trade Secret and not generally known to or by a business in competition with the Seller or otherwise publicly disseminated by the protected party hereto, the disclosure of which may be beneficial to a competing business or detrimental to Seller.

9. Arbitration

Any controversy or claim arising out of or relating to this Agreement, or the breach hereof, shall be submitted to and be finally resolved by arbitration, to be conducted by the American Arbitration Association (.AAA.), with such arbitration to be held in Atlanta, Georgia in accordance with the AAA.s Commercial Arbitration Rules then in effect. Each party hereby irrevocably agrees that service of process, summons, notices, as other communications related to the arbitration procedures shall be deemed served and accepted by the other party five (5) working days after having been mailed by first class registered mail, return receipt requested, postage prepaid, to the other party, or if actually received by the other party. The arbitration shall be conducted by one arbitrator, as selected by the AAA. Any award or decision rendered in such arbitration shall be final and binding on both parties, and judgment may be entered thereon in any court of competent jurisdiction if necessary. Except as may be provided to the contrary herein, each party hereto shall pay any and all expenses incurred by such party in connection with such arbitration proceeding, unless otherwise determined by the arbitrator.

10. Miscellaneous

- A Purchaser may not assign this contract without the express prior written consent of Seller.
- B Except as otherwise expressly provided in Section 1(e) hereof or in a written document, signed by Seller and Purchaser, this document and attachments and exhibits thereto constitute the entire agreement between Seller and Purchaser with respect to the subject matter herein contained and all prior agreements and communications between Seller and Purchaser, whether oral or written, are superseded by this Agreement.

- C No modification, limitation, waiver or discharge of this Agreement or of any of its terms shall bind Seller unless in writing and signed by a duly authorized employee of Seller. The failure of Seller to insist, in one or more instances, on performance by Purchaser in strict compliance with the terms and conditions hereof shall not be deemed a waiver or relinquishment of any right granted hereunder with respect to any succeeding breach of the same or other provision hereof.
- D All notices required hereunder shall be in writing and sent by first class mail or by telefax or written confirmation to such addresses as stated on the reverse side hereof.
- E This Agreement shall be governed by, and construed, interpreted and enforced under the laws of the State of Florida without giving effect to the conflict of laws principles.
- F In connection with any litigation, including appellate proceedings, arising out of or pertaining to any of the contractual relationships between Seller and Purchaser or the breach thereof, as contemplated herein, all costs and expenses, including reasonable attorneys fees, shall be borne by the losing party or, as the case may be, shall be prorated to properly reflect any partial losing or prevailing of the parties to such litigation.
- G In case any conditions of this Agreement should be or become unenforceable under applicable law, the remaining provisions, stipulations and conditions of this Agreement shall not be affected thereby.

